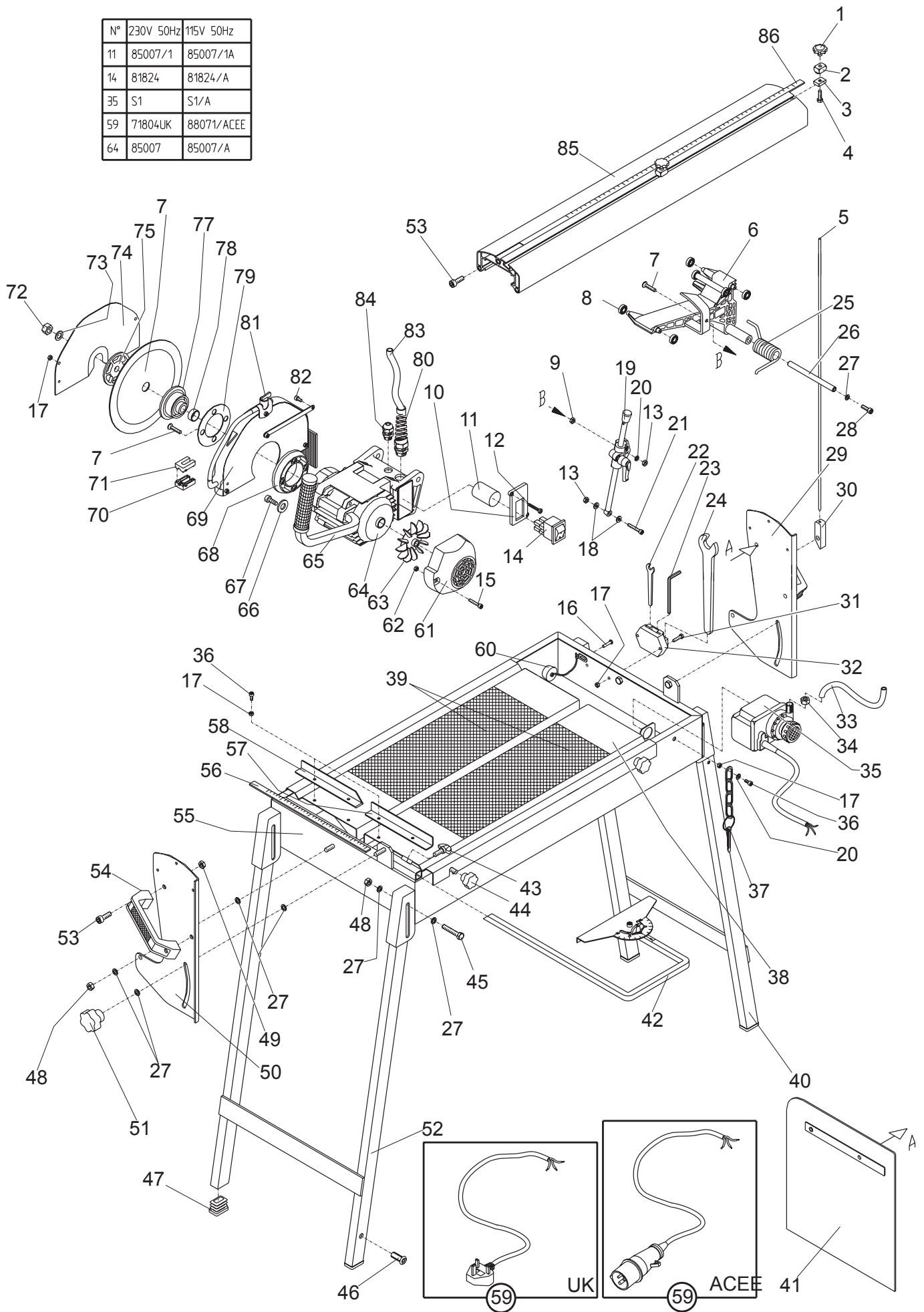


Maxitile 260

N°	230V 50Hz	115V 50Hz
11	85007/1	85007/1A
14	81824	81824/A
35	S1	S1/A
59	71804UK	88071/ACEE
64	85007	85007/A



Maxitile 260

ITEM NUMBER ⁽¹⁾	PART NUMBER ⁽²⁾	DESCRIPTION ⁽³⁾	ITEM NUMBER ⁽¹⁾	PART NUMBER ⁽²⁾	DESCRIPTION ⁽³⁾
1	156.0.145	KNOB	59	156.0.044	PLUG & CABLE (110V)
2	156.0.146	LOCKING (ABOVE INDICATOR)		156.0.052	PLUG & CABLE (230V)
3	156.0.147	LOCKING (BELOW INDICATOR)	60	156.0.074	DRAIN PLUG
4	156.0.111	SCREW (M6 X 20)	61	156.0.186	MOTOR FAN COVER
5	156.0.148	ROD WATER PIPE	62	156.0.046	NUT (M5)
6	156.0.149	ENGINE SLIDE	63	156.0.187	MOTOR COOLING FAN
7	156.0.150	SCREW (M6 X 25)	64	156.0.189	MOTOR (115V 50HZ)
8	156.0.151	BEARING		156.0.188	MOTOR (230V 50HZ)
9	8/6001	NUT (M6)	65	156.0.190	WORKING HANDLE
10	156.0.153	SWITCH MOUNTING PLATE	66	156.0.191	WASHER (6 X 24)
11	156.0.155	CAPACITOR (115V)	67	156.0.192	RAPID FIXING SCREW
11	156.0.154	CAPACITOR (230V)	68	156.0.193	SPACER
12	156.0.156	SCREW (M4 X 12)	69	156.0.194	DISC GUARD
13	156.0.157	AUTOFIXING NUT (M6)	70	156.0.195	SPRAY (FEMALE)
14	156.0.092	SWITCH (115V)	71	156.0.196	SPRAY (MALE)
14	156.0.075	SWITCH (230V)	72	8/12003	NUT (M12 L/H)
15	156.0.158	SCREW (M5 X 25)	73	156.0.198	WASHER (12MM)
16	156.0.159	SCREW RIVETS (9X9)	74	156.0.199	EXTERIOR DISC GUARD COVER
17	156.0.015	FLANGED NUT (M5)	75	156.0.042	EXTERNAL FLANGE
18	156.0.160	PLASTIC WASHER	76	156.0.057	DIAMOND DISC
19	156.0.161	STOP/RUN LEVER COMPLETE	77	156.0.041	INTERNAL FLANGE
20	4/6001	WASHER (M6)	78	156.0.019	V SEAL
21	156.0.162	SCREW (M6 X 30)	79	156.0.200	SPACER
22	156.0.163	8MM WRENCH	80	156.0.201	CABLE STOP
23	156.0.110	HEXAGONAL KEY (M5)	81	156.0.202	VALVE
24	156.0.070	HEXAGONAL KEY (M19)	82	156.0.203	SCREW 5 X 30
25	156.0.164	TORSION SPRING	83	156.0.204	CABLE PUMP PROTECTION
26	156.0.165	FULCRUM PIN	84	156.0.205	CABLE STOP
27	4/8006	WASHER (M8)	85	156.0.222	RAIL
28	156.0.166	SCREW (M8 X 10)	86	156.0.223	SCALE MEASUREMENT
29	156.0.167	LEFT BRACKET			
30	156.0.168	WATER PIPE ROD HOLDER			
31	156.0.078	SCREW (M5 X 20)			
32	156.0.069	TOOL HOLDER			
33	156.0.169	WATER PIPE (9X6)			
34	156.0.170	METAL WASHER (9X6)			
35	156.0.172	WATER PUMP (115V)			
35	156.0.171	WATER PUMP (230V)			
36	156.0.184	SCREW (M5 X 8)			
37	156.0.209	LEG FIXING PIN			
38	156.0.210	WORKING TABLE			
39	156.0.224	RUBBER PAD			
40	156.0.211	INTERNAL LEG			
41	156.0.177	WATER SPRAY PROTECTION			
42	156.0.176	DIAGONAL FENCE COMPLETE			
43	156.0.174	KNOB			
44	156.0.175	KNOB			
45	156.0.213	SCREW (M8 X 40)			
46	156.0.214	BUSH TO FIT LEGS			
47	156.0.215	SCREW PLUG			
48	156.0.180	AUTOFIXING NUT (M8)			
49	8/8001	NUT (M8)			
50	156.0.178	RH BRACKET			
51	156.0.179	KNOB			
52	156.0.216	EXTERNAL LEG			
53	156.0.050	SCREW (M8 X 12)			
54	156.0.051	HANDLE			
55	156.0.217	STEEL BODY			
56	156.0.088	SCALE MEASUREMENT			
57	156.0.182	RIGHT TILE SUPPORT			
58	156.0.183	LEFT TILE SUPPORT			

⁽¹⁾ Item Number / número sur le schéma / número de la ilustración / número da ilustração / afbeeldingsnummer / tegningsnummeret / Teil-Nummer / numero dell'illustrazione

⁽²⁾ Part Number / Numéro de référence de la pièce / número de pieza / número da parte / stuknummer / Styknummer / Nummer auf der Abbildung / numero di parte

⁽³⁾ Description / Désignation / Descripción / Descrição / Omschrijving / Beskrivelse / Bezeichnung / Descrizione