

# BA-SERIES TROWEL— SPECIFICATIONS (TROWEL)

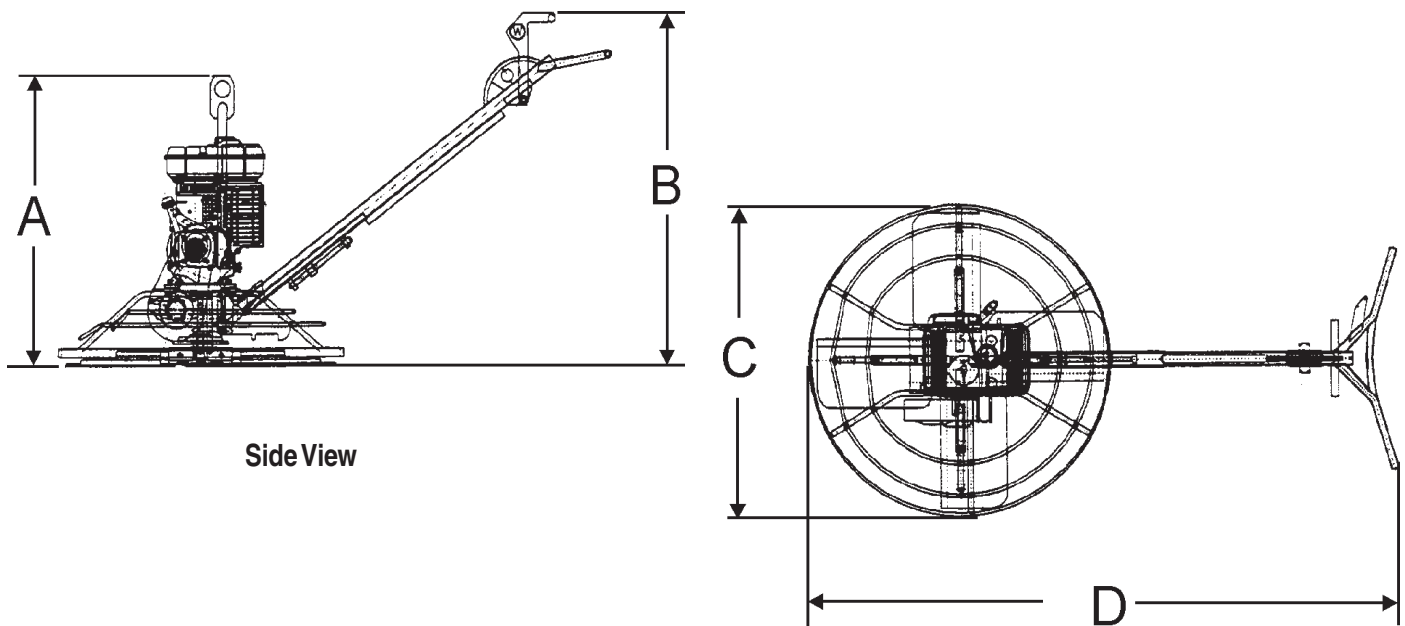


Figure 2. BA-Series Trowel Dimensions

Table 1. BA-Series Trowel Specifications	
A- Height (Lifting Hook)	34.5 in (876.2 mm)
B- Height Engagement Lever)	41.1 in (1,044.2 mm)
C-Width	46.0 (1,168.4 mm)
D-Length	75.2 (1,910.1 mm)
Weight – Operating	See Table 3
Sound Pressure	97 db
Vibration	2.5g (24.5 m/s <sup>2</sup> )
Ring Diameter	46 in (117 cm)
Number of Blades	3 or 4
Blade Tip Speed – FPM (m/s)	1,478 fpm (7.5 m/s)
Rotor – RPM (Gasoline)	60 to 125
Path Width – in. (cm)	48 (233)

**NOTE:**

1. Sound pressure is a weighted measure. Measured at the operators ear position while the walk-behind trowel is operating at full throttle on concrete in a manner most often experienced in “*normal*” circumstances. Sound pressure may vary depending upon the condition of the concrete. Hearing protection is always recommended.
2. The vibration level indicated is the maximum RMS (Root Mean Square) value obtained at the handle grip while operating the walk-behind trowel on curing concrete in a manner most often experienced in “*normal*” circumstances. Values were obtained from all three axes of motion. The values shown represent the maximum RMS value from these measurements.

# BA-SERIES TROWEL— SPECIFICATIONS (ENGINES)

## Table 2. Specifications (Engines & Electric Motor)

	Model	HONDA GX240K1QA2	ROBIN EH-25-2	Electric Motor
<b>Engine/Electric Motor</b>	Type	Air-cooled 4 stroke, Single Cylinder, OHV, Horizontal Shaft Gasoline Engine	Air-cooled 4 stroke, Single Cylinder, OHV, Horizontal Shaft Gasoline Engine	N/A
	Bore X Stroke	2.90 in. X 2.30 in. (73 mm x 58 mm)	2.95 in. X 2.24 in. (75 mm x 57 mm)	N/A
	Displacement	14.81 cc	15.31 cc	N/A
	Max Output	8.0 H.P./3600 R.P.M.	8.5 H.P./4000 R.P.M.	2.0 HP
	Fuel Tank Capacity	Approx. 1.59 U.S. Gallons (6 Liters)	Approx. 1.59 U.S. Gallons (6 Liters)	N/A
	Fuel	Unleaded Gasoline	Unleaded Gasoline	N/A
	Lube Oil Capacity	2-1/3 pints	2 pints	N/A
	Speed Control Method	Centrifugal Fly-weight Type	Centrifugal Fly-weight Type	N/A
	Starting Method	Recoil Start	Recoil Start	N/A
	Input Voltage	N/A	N/A	115/230 VAC Single Phase
	<b>Dimension (L x W x H)</b>	14.0 x 16.9 X 16.1 in. (355 X 430 X 410 mm)	14.40 x 16.20 X 17.32 in. (366 X 412 X 440 mm)	TBD
<b>Dry Net Weight</b>	55.1 lbs (25 Kg.)	50.7 lbs (23 Kg.)	TBD	

## Table 3. Specifications (Trowel Weights)

MODEL	POWER SOURCE	OPERATING WEIGHT	SHIPPING WEIGHT
B-3-8H	8 HP Honda	237 lbs. (107 kg.)	286 lbs. (130 kg.)
B-4-8BS	8 HP Briggs and Stratton	228 lbs. (103 kg.)	278 lbs. (126 kg.)
B-4-7R	7.5 HP Robin	237 lbs. (107 kg.)	287 lbs. (130 kg.)
B-4-7RM	7.5 HP Robin, Manual Clutch	237 lbs. (107 kg.)	287 lbs. (130 kg.)
B-4-8H	8.0 HP Honda	242 lbs. (110 kg.)	292 lbs. (132 kg.)
B-4-8HM	8.0 HP Honda, Manual Clutch	242 lbs. (110 kg.)	292 lbs. (132 kg.)