

BA-SERIES TROWEL — SUGGESTED SPARE PARTS

BA-SERIES TROWEL 1 TO 3 UNITS WITH HONDA GX240K1QA2ENGINE.

1 to 3 Units

Qty	P/N	Description
2	20856	SAFETY SWITCH
1	20285	CABLE STANDARD HANDLE
1	20297	CABLE QUICK-PITCH™
1	20435	THROTTLE LEVER W/CABLE
4	1157 A	BUSHING
4	1162 A	LUBE CAP
4	1167 A	SCREW
4	1456	NUT
4	1875	WASHER
4	1322	SCREW
1	21046	GASKET KIT
1	21047	BEARING KIT
4	1247	RUBBER GROMMET
4	1245	SPACER
1	2827	ARM (16-1/2")
2	0261	BELT (A-31) HONDA
2	0262	BELT (A-33) HONDA W/HANDCLUTCH
1	10968	THRUST COLLAR KIT
2	9807955846	SPARK PLUG HONDA
2	17620ZH7023	TANK CAP (HONDA)
2	17210ZE2505	AIR CLEANER ELEMENT (HONDA)
2	17218ZE2505	FILTER OUTER (HONDA)

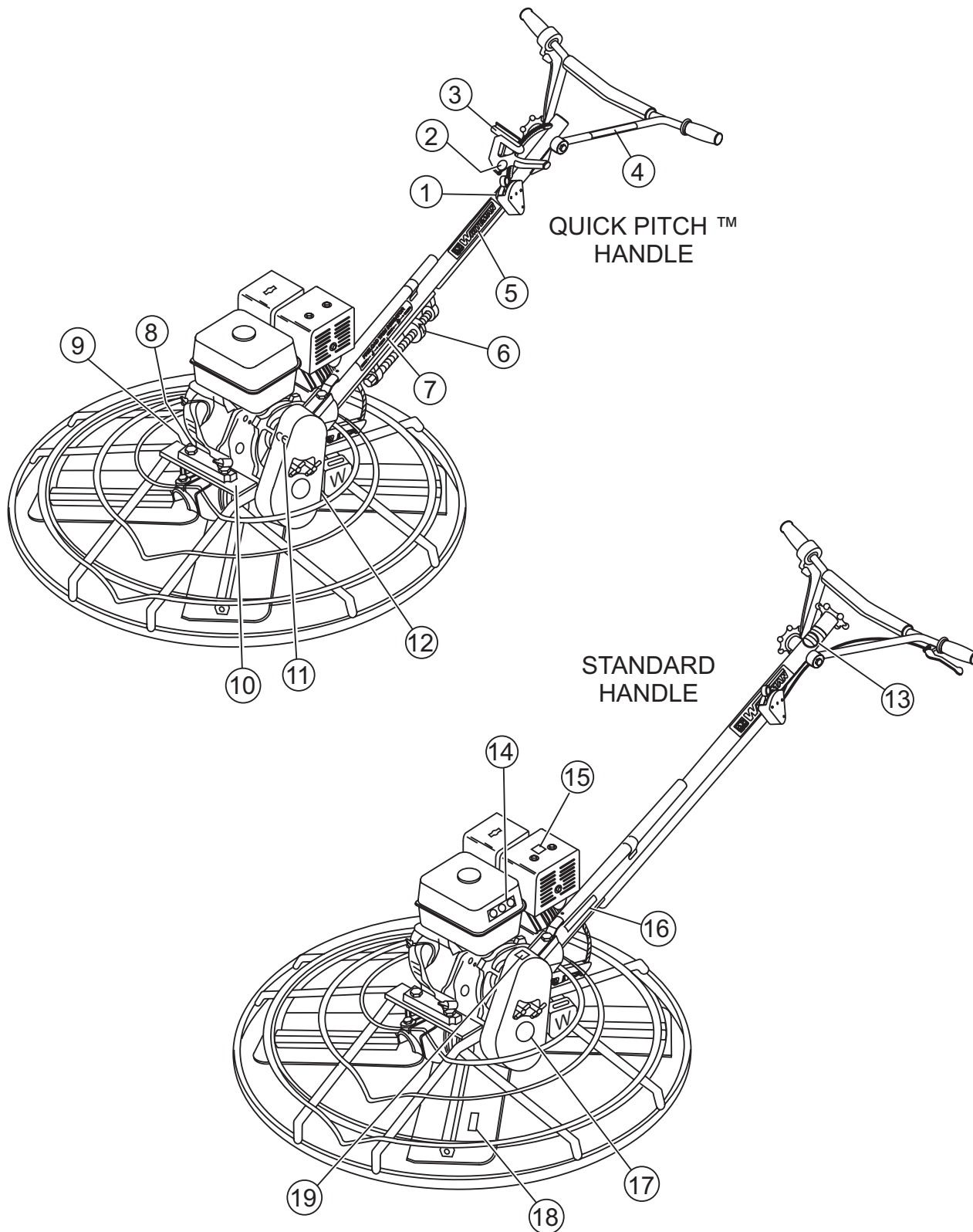
BA-SERIES TROWEL 1 TO 3 UNITS WITH ROBIN EH25-2 ENGINE.

1 to 3 Units

Qty	P/N	Description
2	20856	SAFETY SWITCH
1	20285	CABLE STANDARD HANDLE
1	20297	CABLE QUICK-PITCH™
1	20435	THROTTLE LEVER W/CABLE
4	1157 A	BUSHING
4	1162 A	LUBE CAP
4	1167 A	SCREW
4	1456	NUT
4	1875	WASHER
4	1322	SCREW
1	21046	GASKET KIT
1	21047	BEARING KIT
4	1247	RUBBER GROMMET
4	1245	SPACER
1	2827	ARM (16-1/2")
2	0152 1	BELT (A-30) (ROBIN)
1	10968	THRUST COLLAR KIT
2	0650140031	SPARK PLUG (ROBIN)
2	0430430015	TANK CAP (ROBIN)
2	2703261008	AIR CLEANER ELEMENT (ROBIN)

BA-SERIES TROWEL — NAMEPLATE AND DECALS

NAMEPLATES AND DECALS



BA-SERIES TROWEL — NAMEPLATE AND DECALS

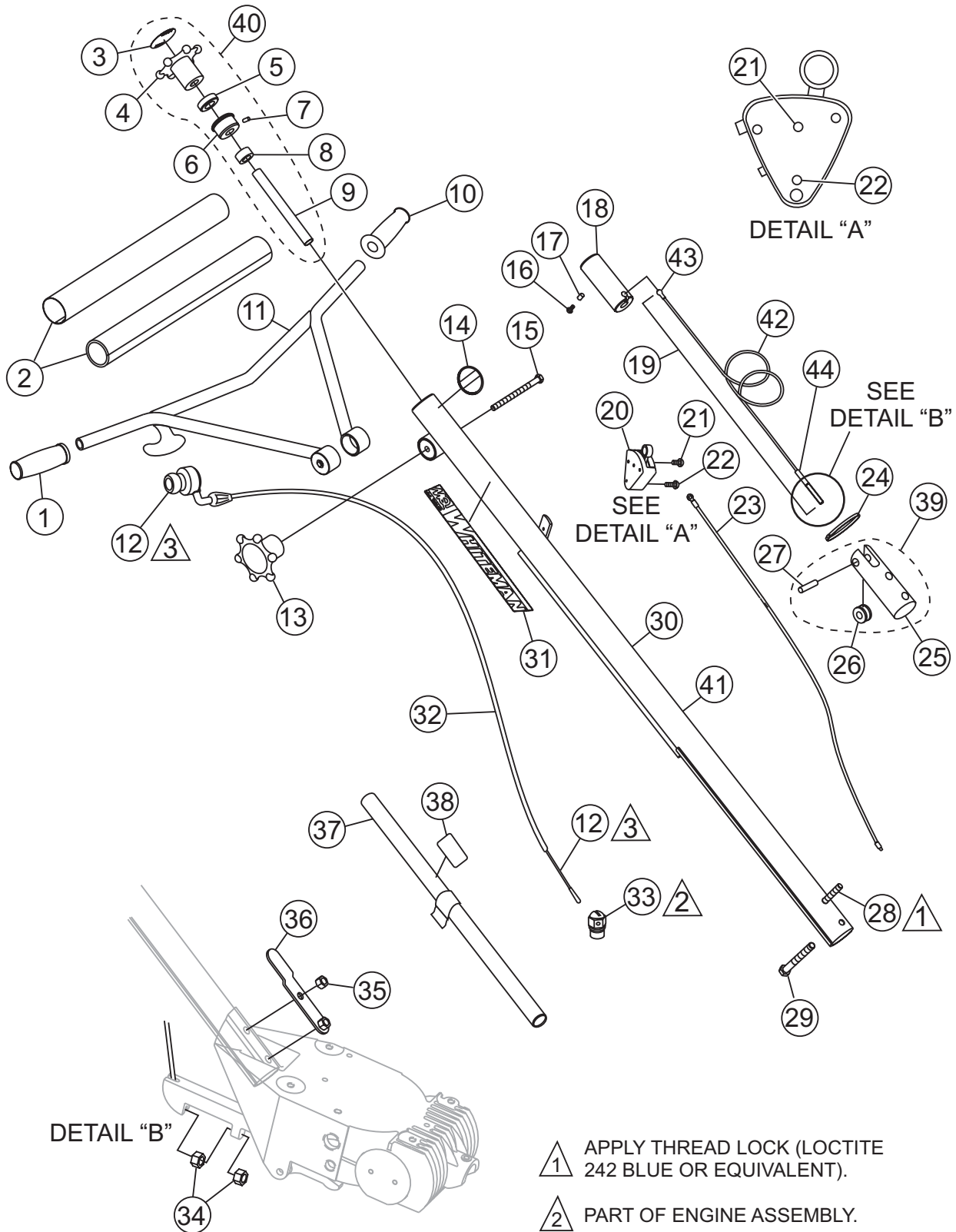
NAMEPLATE AND DECALS

<u>NO.</u>	<u>PART NO.</u>	<u>PART NAME</u>	<u>QTY.</u>	<u>REMARKS</u>
1	1758	DECAL: QUICK-PITCH™ HANDLE	1	
2	12405	DECAL: QUICK-PITCH™ HANDLE INSERT	2	
3	20527	DECAL: QUICK-PITCH™ WARNING	1	
4	20526	DECAL: QUICK-PITCH™ LATCH WARNING	1	
5	2942	DECAL: MQ WHITEMAN 13"	1	
6	1736	DECAL: ARROWS	1	
7	1735	DECAL: PRE-LOAD INDICATOR	1	
8*	11246	DECAL: OIL CHECK	1	
9		NAMEPLATE	1 CONTACT MULTIQIP PARTS DEPT.
10	1940	DECAL: MQ WHITEMAN (SMALL)	1	
11	11092	DECAL: CE	1	
12*	11246	DECAL: GEAR DRIVE	1	
13	1492	DECAL: STANDARD HANDLE (FINISHER)	1	
14*	11247	DECAL: HELMET, FOOT AND GLOVE	1	
15*	11246	DECAL: HOT	1	
16	1261	DECAL: DO NOT LIFT	1	
17	1848	DECAL: POWER TROWEL	1	
18	2938	DECAL: METRIC	1	
19*	11246	DECAL: BELT DRIVE	1	
	12620	DECAL, KIT	1 INCLUDES ITEMS W/*

SEE DECAL ILLUSTRATIONS ON PAGE 12

BA-SERIE TROWEL — STANDARD HANDLE ASSY.

STANDARD HANDLE ASSY.



- ▲ 1 APPLY THREAD LOCK (LOCTITE 242 BLUE OR EQUIVALENT).
- ▲ 2 PART OF ENGINE ASSEMBLY.
- ▲ 3 CABLE IS ATTACHED TO THROTTLE AND SEALED AT THE FACTORY. ORDERABLE AS A UNIT ONLY.

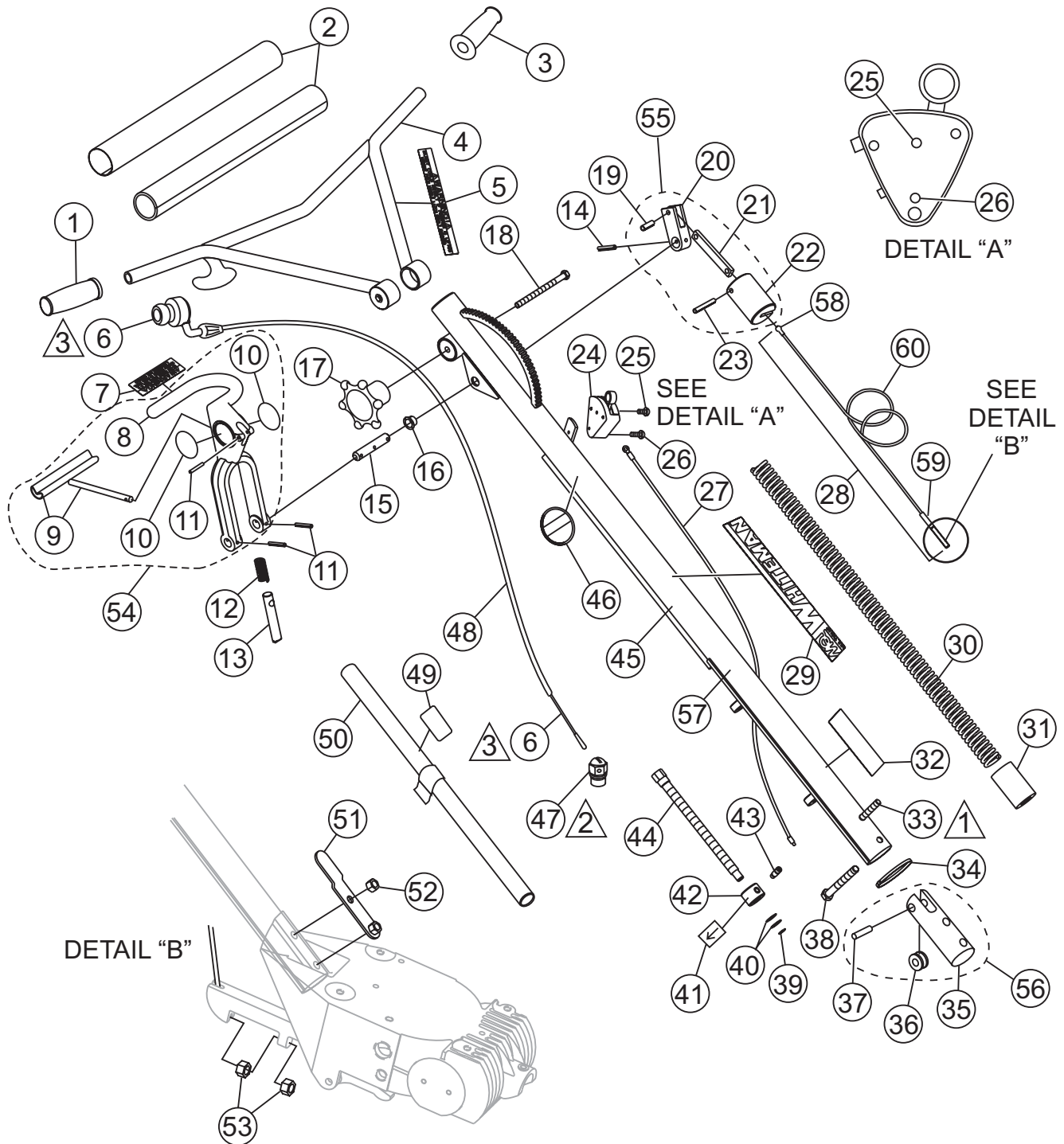
BA-SERIES TROWEL — STANDARD HANDLE ASSY.

STANDARD HANDLE ASSY.

<u>NO.</u>	<u>PART NO.</u>	<u>PART NAME</u>	<u>QTY.</u>	<u>REMARKS</u>
1	20463	GRIP, HANDLE RIGHT	1	
2	20774	COVER, PAD HANDLE	1	
3*	20818	DECAL, STD PITCH	1	
4*	20817	WHEEL, HAND J-B HANDLE	1	
5*	0281	BEARING, THRUST, NICE 607	1	
6*	20282	BEARING, TROWEL CONTROL	1	
7*	0122C	SCREW, SHS 3/8-16 X 1/2	1	
8*	3615	COLLAR, SET 3/4 ID	1	
9*	1478	SHAFT, TROWEL CONTROL	1	
10	20478	GRIP, HANDLE LEFT	1	
11	12556	HANDLE, ADJUSTABLE	1	
12	20435	THROTTLE LEVER W/CABLE	1	
13	20439	WHEEL ASSY., HAND	1	
14	1492	DECAL, CUSTOM 2 1/2 CHROME	1	
15	20438	SCREW, HHC 3/8-16 X 5.00	1	
16	0786	SCREW, BHC 1/4- 20 X 3/8 NYL PATCH, NP	1	
17	0786A	SPACER, .360 X 17/64 X 1/8L	1	
18	20287	SLIDE BLOCK TROWEL CONTROL	1	
19	20285	CABLE ASSY., LENGTH 48.29" STD FINISHER	1	
20	20856	SWITCH ASSY., KILL	1	INCLUDES ITEMS W/\$
21\$	1602	SCREW, RHM 10-24 X 3/8	1	
22\$	20988	SCREW, FHSC PHILLIPS 8-32 X 1 1/4	1	
23	20514	WIRE ASSY., KILL SWITCH	1	
24	1662	TIE, CABLE TY-RAP, BLACK	1	
25#	20275	BLOCK, SUPPORT	1	
26#	1118	PULLEY, SUPPORT BLOCK	1	
27#	20279	PIN, SUPPORT BLOCK 3/8 X 1.59	1	
28	21017	SCREW, HHC 3/8-16 X 3 1/2 FULL THREAD	1	
29	1493	SCREW, HHC 3/8-16 X 3 1/4	1	
30	12567	HANDLE, STD	1	
31	2942	DECAL, MQ WHITEMAN, 13"	1	
32	20434	HOUSING, CABLE 74"	1	
33	20845	SWIVEL, THROTTLE CABLE	1	
34	1116	NUT, BRASS JAM 5/16-18	2	
35	10133	NUT, NYLOC 3/8-16	1	
36	20392	BRACKET, LIFT TUBE	1	
37	20471	HANDLE, LIFT ASSY.	1	
38	1261	DECAL, CAUTION, LIFT HANDLE	1	
39	20280	BLOCK, CABLE ASSY.	1	NCLUDES ITEMS W/#
40	20819	HAND WHEEL ASSY., PITCH CONTROL.	1	INCLUDES ITEMS W/*
41		HANDLE ASSY., STD FINISHERS	1	CONTACT SALES DEPT.
42■	20301	CABLE, CNTL 5/32 GALV AIRCRAFT 46.03"	1	
43■	20421	CLEVIS, BALL END CONTROL CABLE	1	
44■	A8638	END-BOLT, CNTL CABLE	1	

BA-SERIES TROWEL — QUICK-PITCH™ HANDLE ASSY.

QUICK-PITCH™ T-HANDLE



1 APPLY THREAD LOCK (LOCTITE 242 BLUE OR EQUIVALENT).

2 PART OF ENGINE ASSEMBLY.

3 CABLE IS ATTACHED TO THROTTLE AND SEALED AT THE FACTORY. ORDERABLE AS A UNIT ONLY.

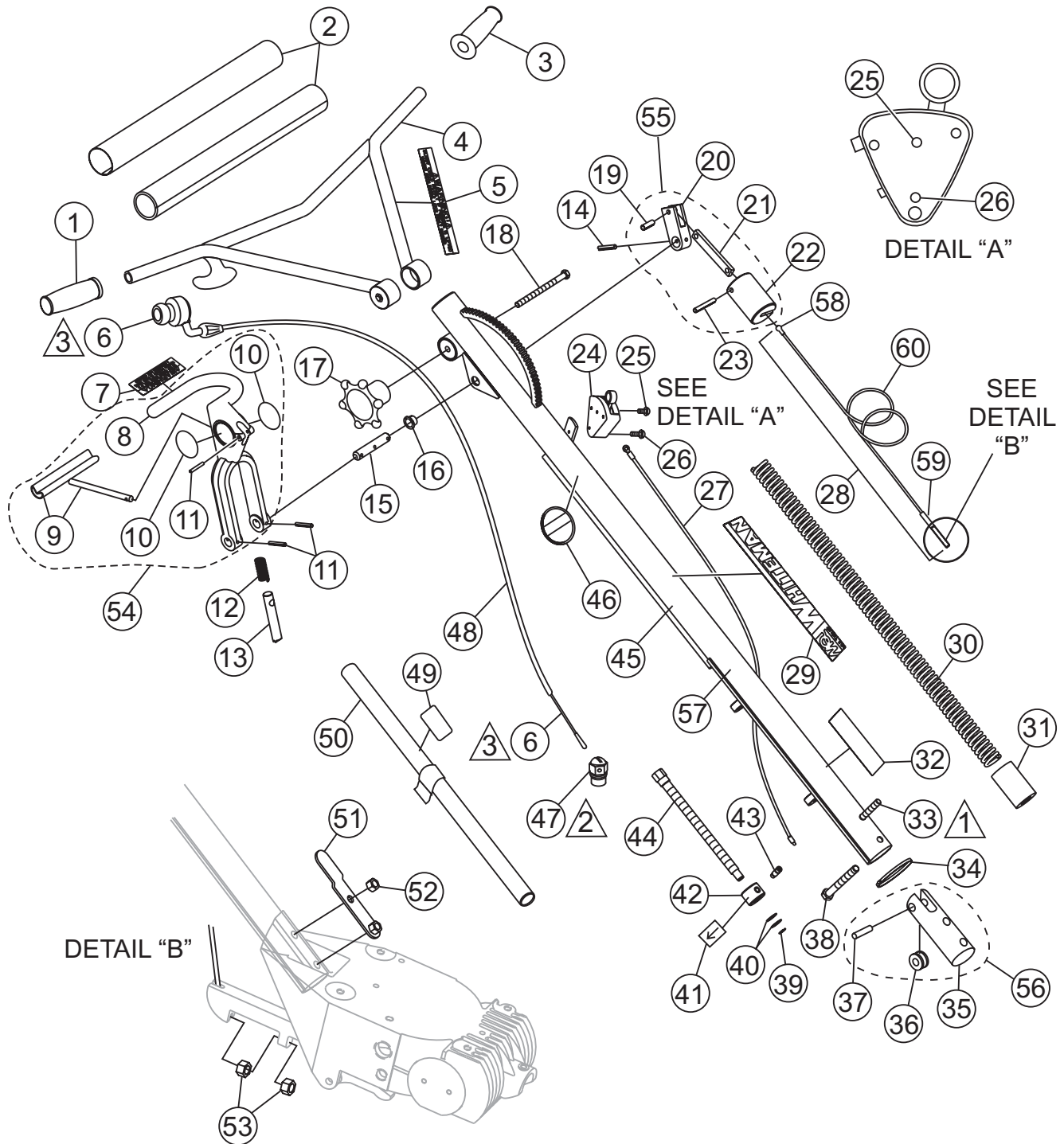
BA-SERIES TROWEL — QUICK-PITCH™ HANDLE ASSY.

QUICK-PITCH HANDLE

<u>NO.</u>	<u>PART NO.</u>	<u>PART NAME</u>	<u>QTY.</u>	<u>REMARKS</u>
1	20463	GRIP, HANDLE RIGHT	1	
2	20774	COVER, PAD HANDLE	1	
3	20478	GRIP, HANDLE LEFT	1	
4	12556	HANDLE, ADJUSTABLE	1	
5	20526	DECAL, LATCH WARNING	1	
6	20435	THROTTLE, J-B	1	
7	20527	DECAL, Q.P. WARNING	1	
8*	20389	HANDLE, QUICK-PITCH™	1	
9*	1746	TRIGGER, QP CHROMED	1	
10*	12405	DECAL, WHITEMAN QUICK-PITCH™	2	
11*	1729	PIN, ROLL 3/16 X 1 1/4	3	
12*	1706	SPRING, ENCLOSED QP CLAMP	1	
13*	20437	PIN, QP LATCH	1	
14	4568	PIN, ROLL 3/16 X 1	1	
15	1711	SHAFT, CONTROL QP	1	
16	1719	BUSHING, PIVOT PLATE	1	
17	20439	WHEEL ASSY., HAND	1	
18	20438	SCREW, HHC 3/8-16 X 5.00	1	
19+	1731	PIN, ROLL 1/4 X 3/4	1	
20+	20443	ARM, SLIDE CONTROL	1	
21+	1709	CONNECTOR, QP CONTROL ARM	1	
22+	20269	LINKAGE, QP CONTROL	1	
23+	20276	PIN, ROLL 1/4 X 1 3/4	1	
24	20856	SWITCH ASSY., KILL	1	INCLUDES ITEMS W/\$
25\$	1602	SCREW, RHM 10-24 X 3/8	1	
26\$	20988	SCREW, FHSC PHILLIPS 8-32 X 1 1/4	1	
27	20514	WIRE ASSY., KILL SWITCH	1	
28	20297	CABLE ASSY., QP CONTROL, 45"	1	INCLUDES ITEMS W/■
29	2942	DECAL, MQ WHITEMAN, 13"	1	
30	1715	SPRING, COUNTER BALANCE	1	
31	20270	BLOCK, QP ADJUSTMENT	1	
32	1735	DECAL, PRELOAD TRIM INDICATOR	1	
33	21017	SCREW, HHC 3/8-16 X 3 1/2 FULL THREAD	1	
34	1662	TIE, CABLE, TY-RAP BLACK	1	
35#	20275	BLOCK, SUPPORT	1	
36#	1118	PULLEY, SUPPORT BLOCK	1	
37#	20279	PIN, SUPPORT BLOCK 3/8 X 1.59	1	
38	1493	SCREW, HHC 3/8-16 X 3 1/4	1	
39	1737	SNAP RING, TRUARC #5100-50	1	
40	1733	WASHER, 1/2 X 1/32, HARDENED	2	

BA-SERIE TROWEL — QUICK PITCH™ HANDLE ASSY.

QUICK PITCH HANDLE



▲ 1 APPLY THREAD LOCK (LOCTITE 242 BLUE OR EQUIVALENT).

▲ 2 PART OF ENGINE ASSEMBLY.

▲ 3 CABLE IS ATTACHED TO THROTTLE AND SEALED AT THE FACTORY. ORDERABLE AS A UNIT ONLY.

BA-SERIES TROWEL — QUICK PITCH™ HANDLE ASSY.

QUICK PITCH HANDLE

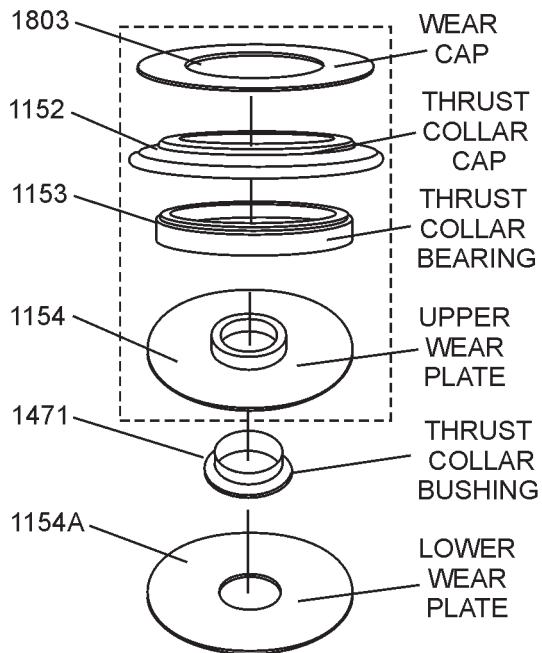
<u>NO.</u>	<u>PART NO.</u>	<u>PART NAME</u>	<u>QTY.</u>	<u>REMARKS</u>
41	1736	DECAL, ARROW	1	
42	1718	NUT, QP TRIM CTRL ADJ	1	
43	1732	BOLT, STRIPPER 3/8 X 1/2	1	
44	1717	SCREW, QP TRIM ADJUSTMENT	1	
45	12642	TUBE, MAIN HANDLE	1	
46	1758	DECAL, PATENT QP	1	
47	20845	SWIVEL, ENGINE THROTTLE CABLE	1	
48	20434	HOUSING, THROTTLE CABLE 74"	1	
49	1261	DECAL, CAUTION, LIFT HANDLE	1	
50	20471	HANDLE, LIFT ASSY.	1	
51	20392	BRACKET, LIFT TUBE	1	
52	10133	NUT, NYLOC 3/8-16	1	
53	1116	NUT, BRASS JAM 5/16-18	2	
54	20390	TRIGGER, QP ASSY.	1	INCLUDES ITEMS W/*
55	20293	LINKAGE, QP CONTROL ASSY.	1	INCLUDES ITEMS W/+
56	20280	BLOCK, CABLE ASSY.	1	INCLUDES ITEMS W/#
57		HANDLE ASSY., MAIN	1	CONTACT SALES DEPT.
58■	20421	CLEVIS, BALL END CONTROL CABLE	1	
59■	A8638	END-BOLT, CNTRL CABLE	1	
60■	20271	CABLE, CNTL 5/32 GALV AIRCRAFT 43.19"	1	

BA-SERIE TROWEL — THRUST BEARING KIT ASSY.

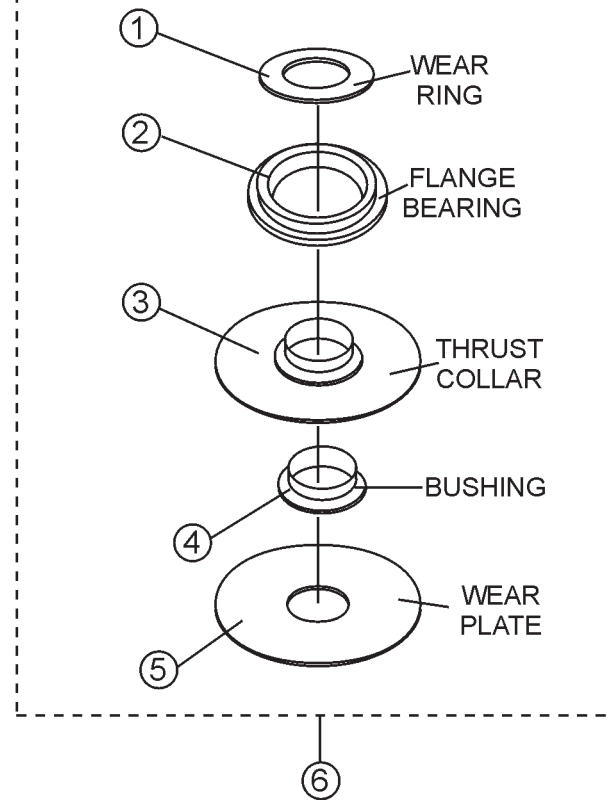
THRUST BEARING KIT ASSEMBLY.

THRUST BEARING KIT No. 10968

OLD STYLE THRUST BEARING NO LONGER USED



NEW STYLE THRUST BEARING



WHEN RE-ORDERING ***MUST*** USE
THRUST BEARING KIT P/N 10968.
OLD STYLE IS NOT AVAILABLE.

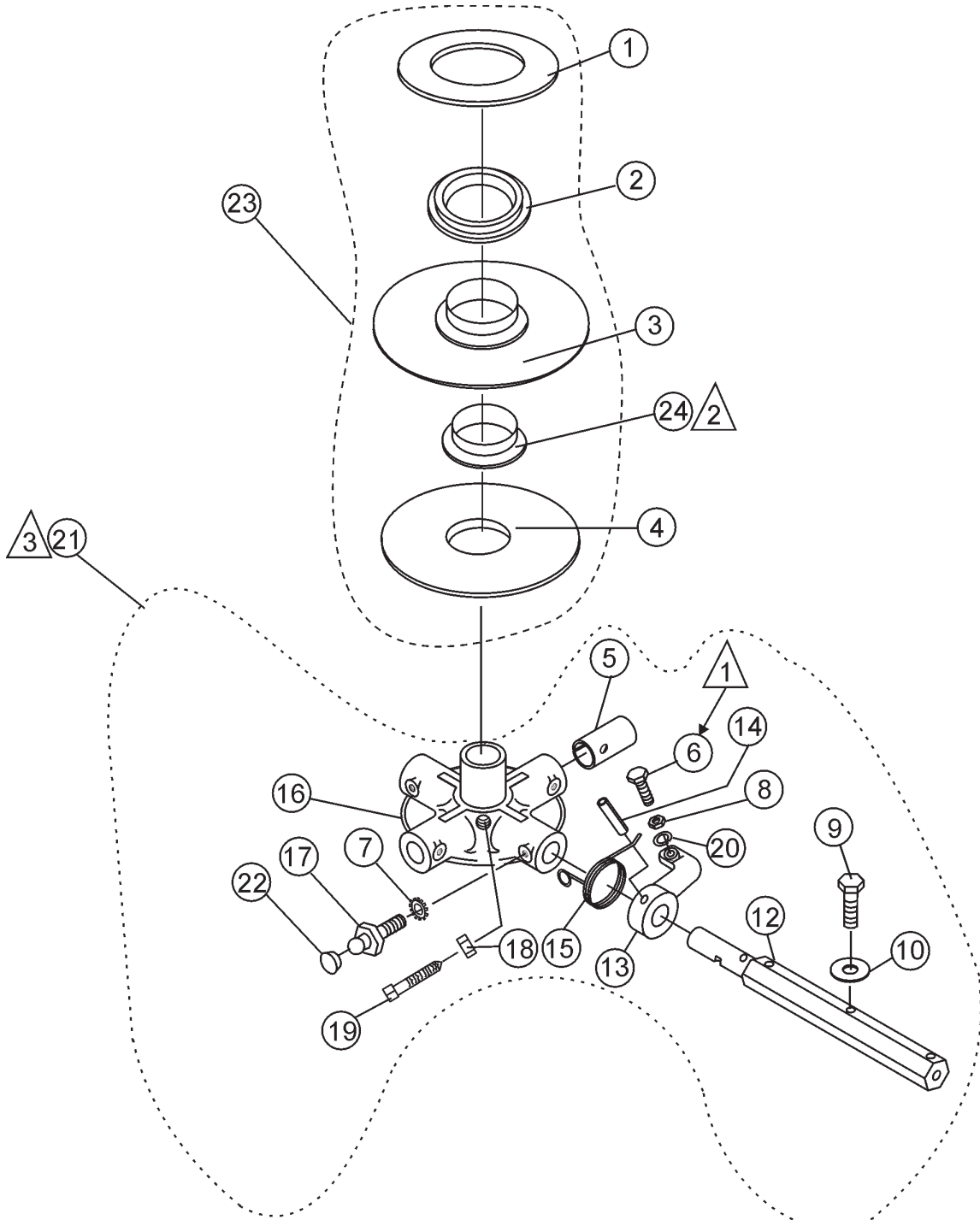
BA-SERIES TROWEL — THRUST BEARING KIT ASSY.

THRUST BEARING KIT ASSEMBLY.

<u>NO.</u>	<u>PART NO.</u>	<u>PART NAME</u>	<u>QTY.</u>	<u>REMARKS</u>
1*	12208	WEAR RING	1	
2*	12778	FLANGE BEARING	1	
3*	10793	THRUST COLLAR W/BUSHING	1	
4*	1471	BUSHING	1	
5*	1154A	LOWER WEAR PLATE	1	
6	10968	THRUST BEARING KIT	1	INCLUDES ITEM W/*

BA-SERIES TROWEL — 4-BLADE SPIDER ASSY.

4 BLADE SPIDER ASSY.



NOTES:

① APPLY LOCTITE P/N 1477

② INCLUDED WITH ITEM 3 OR CAN BE ORDERED SEPARATELY (P/N 1471).

③ SPIDER ASSEMBLIES P/N 1489 AND 1490 INCLUDES ALL ITEMS WITHIN OUTLINE.

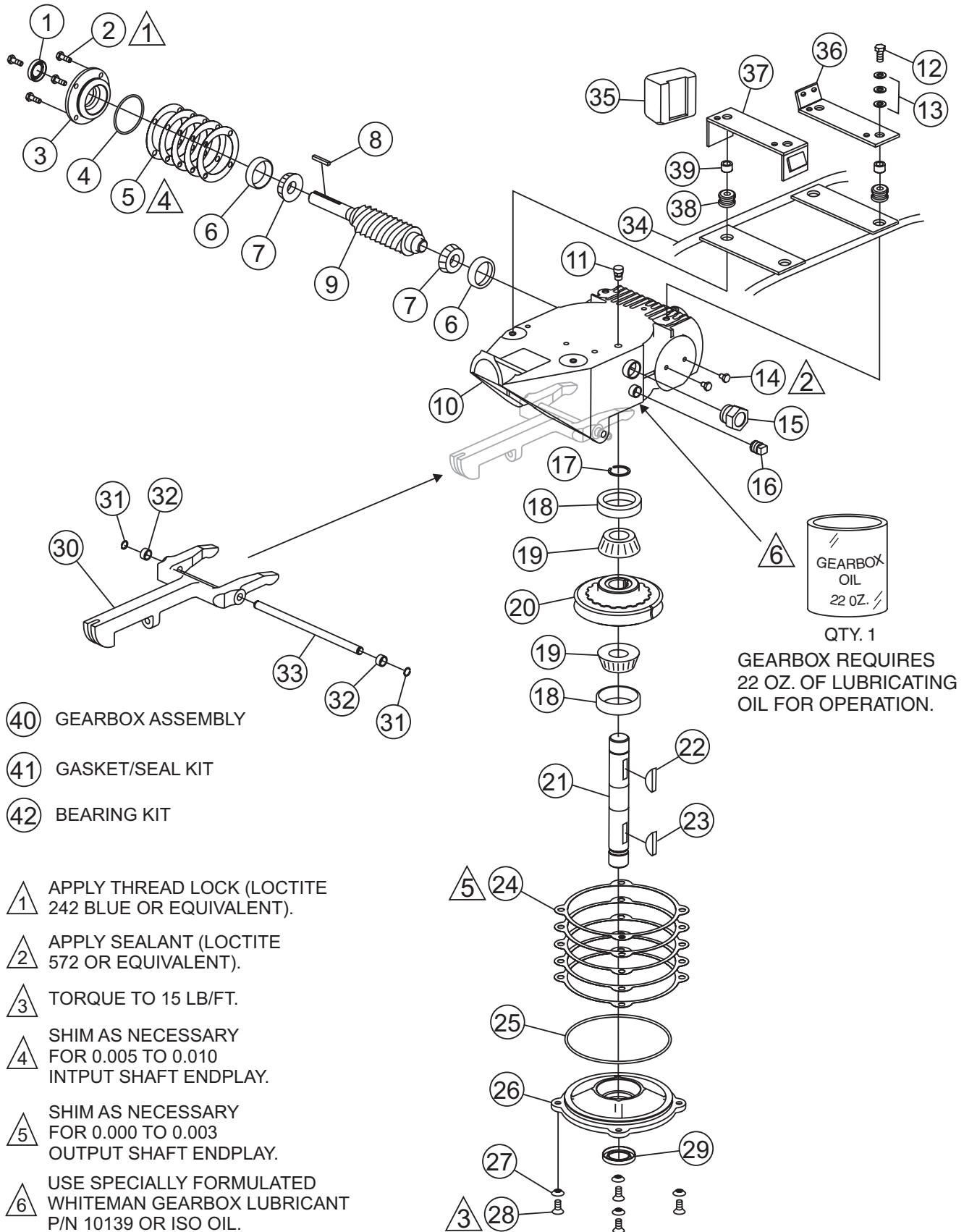
BA-SERIES TROWEL — 4-BLADE SPIDER ASSY.

4 BLADE SPIDER ASSY.

<u>NO.</u>	<u>PART NO.</u>	<u>PART NAME</u>	<u>QTY.</u>	<u>REMARKS</u>
1*	12208	WEAR RING	1	
2*	12778	FLANGE BEARING	1	
3*	10793	THRUST COLLAR	1	INCLUDES ITEMS W/#
4*	1154A	WEAR PLATE	1	
5\$	1157A	BEARING INSERT	4	
6\$	0164B	RADIUS HEAD 3/8- 16 x 1-1/4"	4	
7\$	1875	INT. SHKP. WASHER 3/8"	4	
8\$	1876	JAM NUT 3/8- 16	4	
9\$	0105	HHCS 5/16- 18 x 1-1/2"	8	
10\$	0161C	LOCK WASHER 5/16"	8	
12\$	2827	TROWEL ARM EXTENDED, 16-1/2"	4	
13\$	1163	TROWEL ARM LEVER	4	
14\$	4164	ROLL PIN 5/16 x 1-3/4"	4	
15\$	1316	SPRING (RIGHT HAND)	4	
16\$	1161	SPIDER PLATE ONLY	1	
17\$	1322	RETAINING SCREW ASSY.	4	
18\$	1456	HEX NUT 3/8-16	1	
19\$	1167A	SHSS 3/8-16 x 1-1/2" CONE POINT	1	
20\$	0166A	LOCK WASHER 3/8"	4	
21	1490	SPIDER PLATE ASSY. (4 BLADE)	1	INCLUDES ITEMS W/\$
22	1162A	LUBRA- CAP	4	
23	10968	THRUST BEARING KIT	1	INCLUDES ITEMS W/*
24*#	1471	THRUST COLLAR BUSHING	1	

BA-SERIES TROWEL — GEARBOX AND ENGINE MOUNTS ASSY.

GEARBOX AND ENGINE MOUNTS ASSY.



40 GEARBOX ASSEMBLY

41 GASKET/SEAL KIT

42 BEARING KIT

1 APPLY THREAD LOCK (LOCTITE 242 BLUE OR EQUIVALENT).

2 APPLY SEALANT (LOCTITE 572 OR EQUIVALENT).

3 TORQUE TO 15 LB/FT.

4 SHIM AS NECESSARY FOR 0.005 TO 0.010 INPUT SHAFT ENDPLAY.

5 SHIM AS NECESSARY FOR 0.000 TO 0.003 OUTPUT SHAFT ENDPLAY.

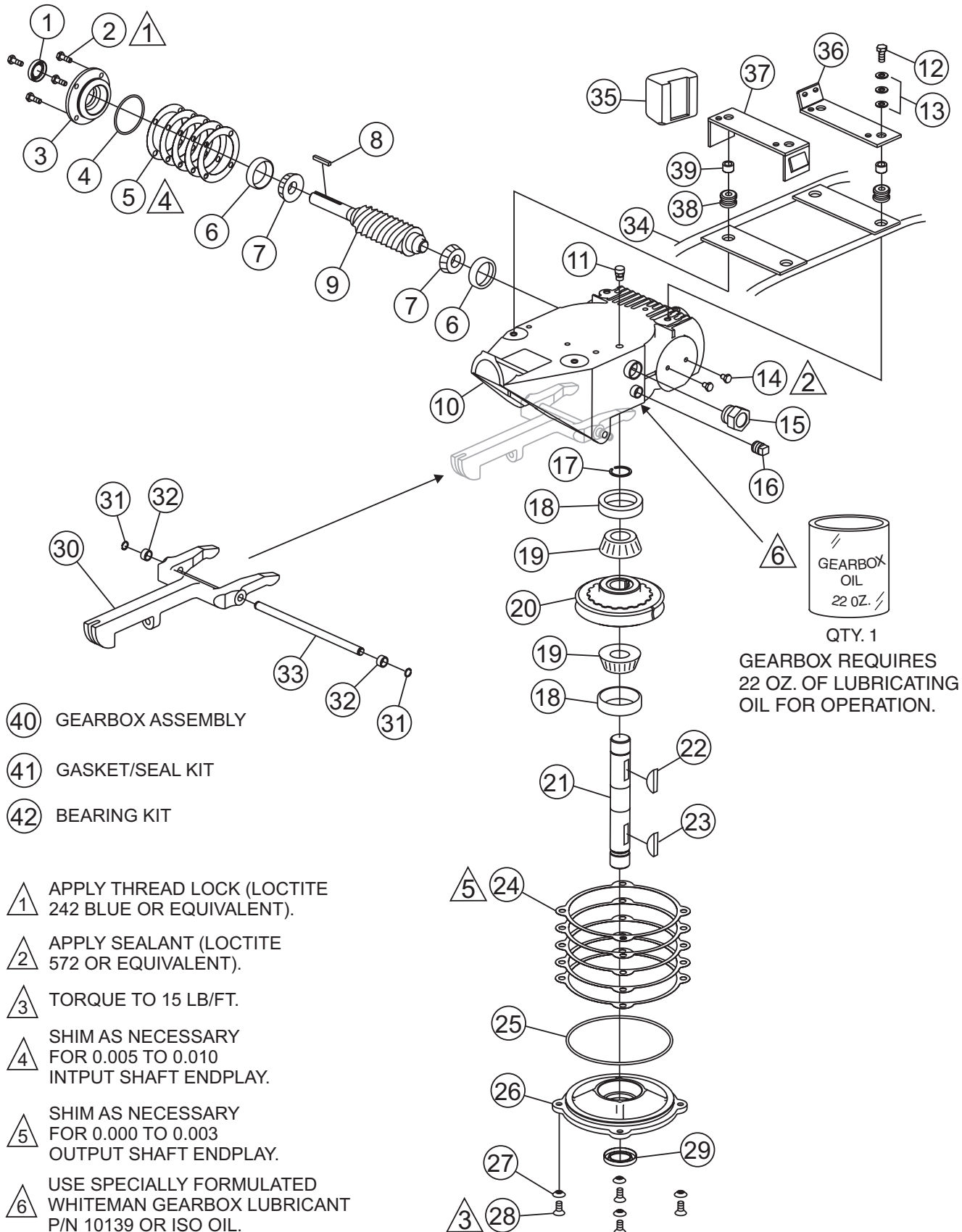
6 USE SPECIALLY FORMULATED WHITEMAN GEARBOX LUBRICANT P/N 10139 OR ISO OIL.

BA-SERIES TROWEL — GEARBOX AND ENGINE MOUNTS ASSY.

GEARBOX AND ENGINE MOUNTS ASSY.

<u>NO.</u>	<u>PART NO.</u>	<u>PART NAME</u>	<u>QTY.</u>	<u>REMARKS</u>
1%*	0753	SEAL, OIL NATIONAL #470954	1	
2%	0131A	SCREW, HHC 1/4-20 X 3/4	4	
3%	12876	FLANGE, INPUT SHAFT	1	
4%*	20395	RING, O -139 BUNA N	1	
5%*	20397	SHIM, INPUT 0.002 THICK	1	
	20398	SHIM, INPUT 0.003 THICK	1	
	20399	SHIM, INPUT 0.005 THICK	1	
	20400	SHIM, INPUT 0.010 THICK	1	
	20401	SHIM, INPUT 0.020 THICK	1	
6%#	20466	BEARING, CUP, TIMKEN #LM11910	2	
7%#	20465	BEARING, CONE, TIMKEN #LM11949	2	
8%	0627	KEY, SQUARE 3/16 X 1 1/4	1	
9%	1851	GEAR, WORM & SHAFT ASSY.	1	
10%	12874	CASE, GEAR, J, B FINISHER	1	
11%	1132	VENT, AIR	1	
12	0655	SCREW, HHC 5/16-18 X 3/4	1	
13	0300B	WASHER, FLAT 5/16 SAE	3	
14%	20476	SCREW, HHC 1/4-28 X 3/8	2	
15%	21033	SIGHT GLASS, 3/4 M PIPE STEEL	1	
16%	0121A	FITTING, PLUG 3/8 MP SQ HEAD	1	
17%	1138	RING, SNAP, TRUARC 5100-112	1	
18%#	20475	BEARING, CUP TIMKEN #M86610	2	
19%#	20474	BEARING, CONE TIMKEN #M86647	2	
20%	1140	GEAR, WORM, BRONZE	1	
21%	20470	SHAFT, OUTPUT J/B FIN	1	
22%	1139	KEY, WOODRUFF #21 HARDENED	1	
23	1238	KEY, WOODRUFF #25	1	
24%*	20402	SHIM, OUTPUT 0.002 THICK	1	
	20403	SHIM, OUTPUT 0.003 THICK	1	
	20404	SHIM, OUTPUT 0.005 THICK	1	
	20405	SHIM, OUTPUT 0.010 THICK	1	
	20406	SHIM, OUTPUT 0.020 THICK	1	
25%*	20396	RING, O -257 BUNA N	1	
26%	12875	COVER, GEARBOX	1	
27%	10235	WASHER, C/S EXT. SHKP	4	
28%	1146	SCREW, FHSC 5/16-18 X 1, NYLOC NP	4	
29%*	0254	SEAL, OIL, NATIONAL #470712	1	
30	1150	ARM, YOKE	1	
31	20802	RING, SNAP, TRUARC 5100-37 OR EQUIV.	2	
32	20803	SPACER, .50 OD X .40 ID X 0.25L	2	
33	20801	PIN, YOKE	1	
34	20811	STATIONARY GUARD RING	1	
35	1810	WEIGHT	2	

BA-SERIES TROWEL — GEARBOX AND ENGINE MOUNTS ASSY.



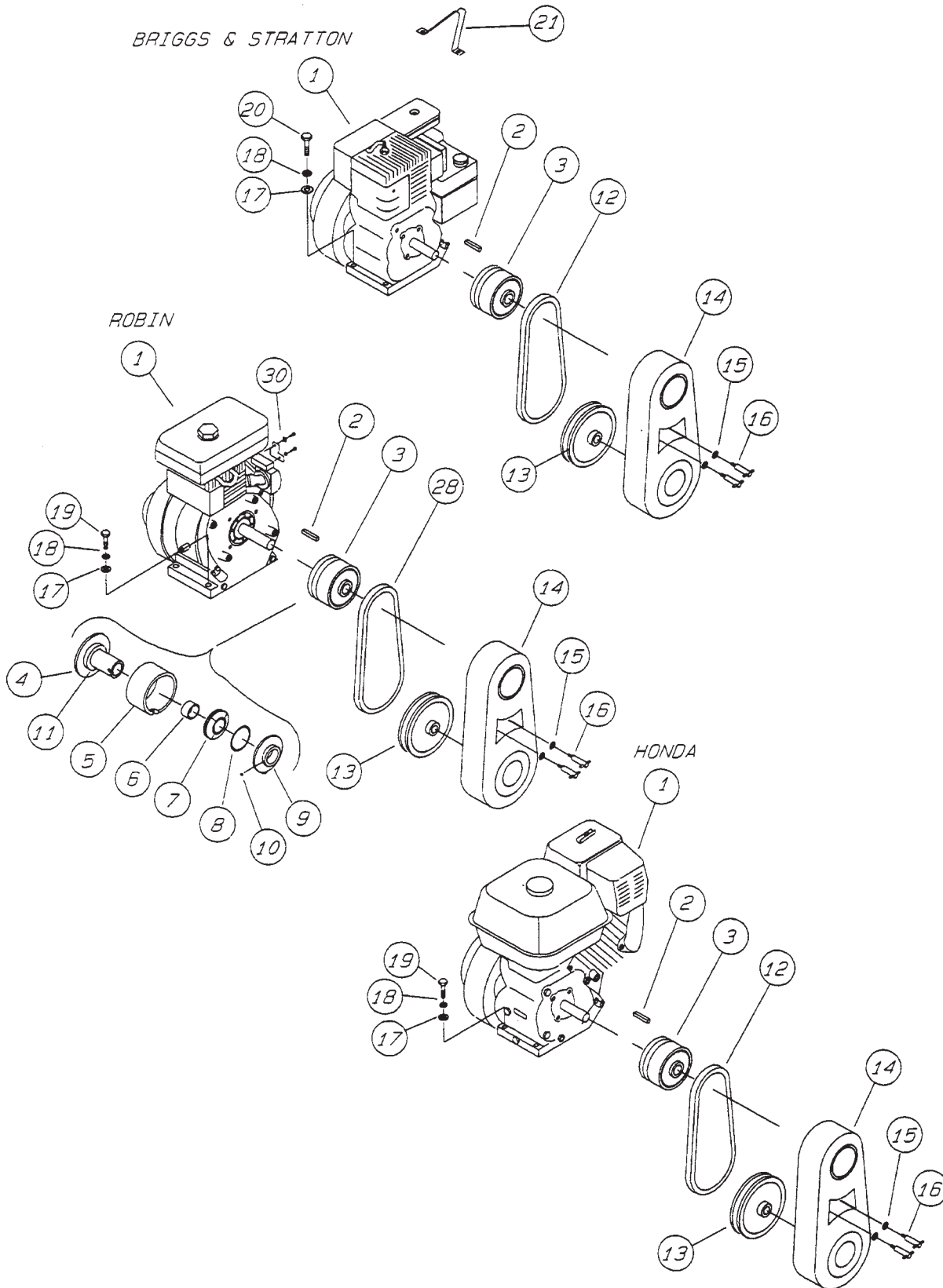
BA-SERIES TROWEL — GEARBOX AND ENGINE MOUNTS ASSY.

GEARBOX AND ENGINE MOUNTS ASSY.

<u>NO.</u>	<u>PART NO.</u>	<u>PART NAME</u>	<u>QTY.</u>	<u>REMARKS</u>
36	1958	FRONT ENGINE MOUNT (HONDA)	1	
36	1965	FRONT ENGINE MOUNT (ROBIN)	1	
36	20536	FRONT ENGINE MOUNT (BRIGGS)	1	
37	1964	REAR ENGINE MOUNT (HONDA 8HP)	1	
37	20954	REAR ENGINE MNT. (HONDA W/HAND CLUTCH)	1	
37	20545	REAR ENGINE MOUNT (ROBIN)	1	
37	20558	REAR ENGINE MOUNT (BRIGGS)	1	
38	1247	GROMMET 1/4 X .875 ID X 1-5/8 OD	4	
39	1245	BUSHING, GUARD RING	4	
40	20407	GEARBOX ASSY.	1	INCLUDES ITEMS W/%
41	21046	GASKET/SEAL KIT	1	INCLUDES ITEMS W/*
41	21047	BEARING KIT	1	INCLUDES ITEMS W/#

BA-SERIES TROWEL — ENGINES, HONDA, ROBIN, BRIGGS & STRATTON

ENGINES, 8 HP HONDA, 8 HP ROBIN, & 8 HP BRIGGS AND STRATTON ASSY.



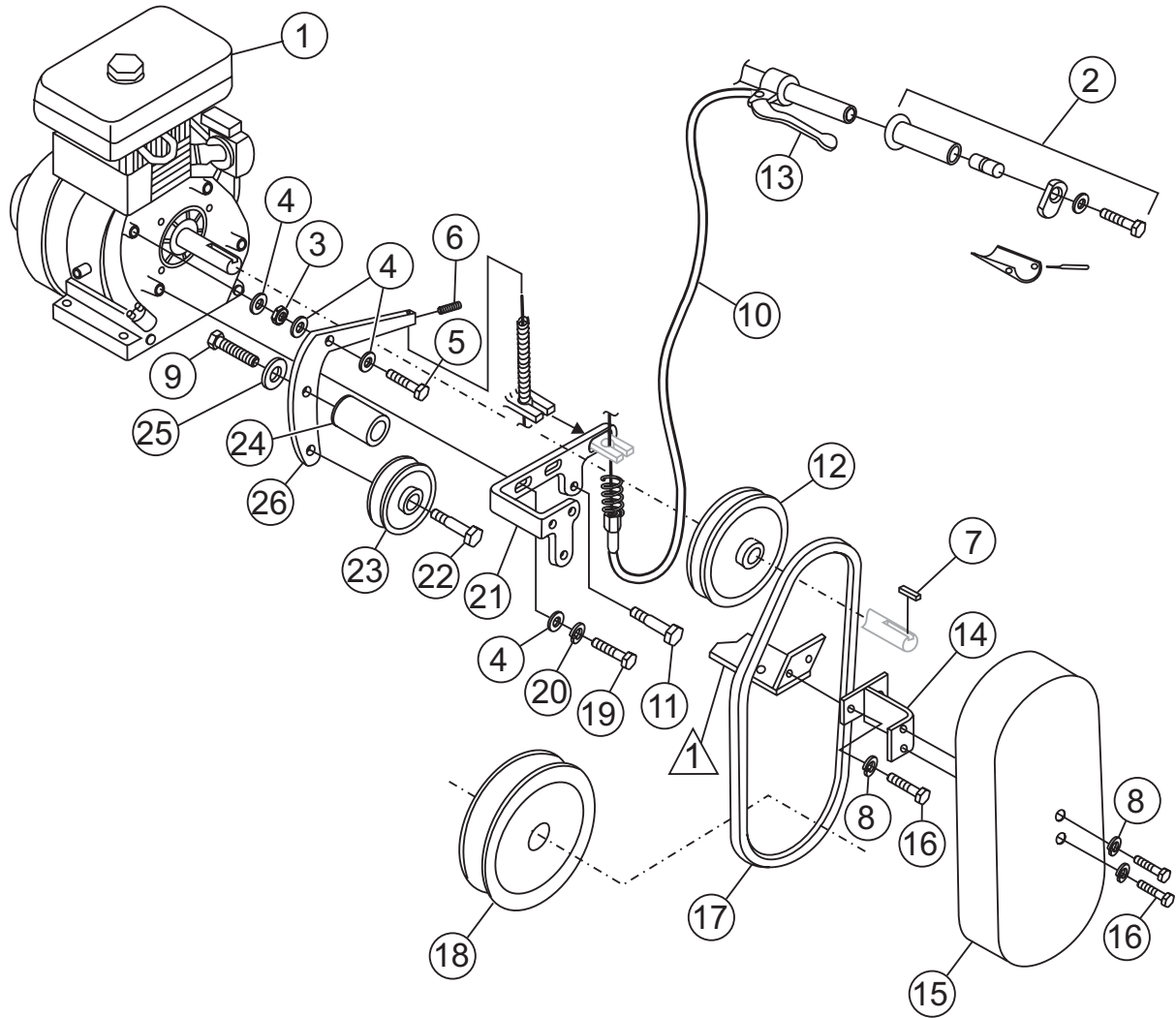
BA-SERIES TROWEL — ENGINES, HONDA, ROBIN, BRIGGS & STRATTON

ENGINES, 8 HP HONDA, 8 HP ROBIN, & 8 HP BRIGGS AND STRATTON ASSY.

<u>NO.</u>	<u>PART NO.</u>	<u>PART NAME</u>	<u>QTY.</u>	<u>REMARKS</u>
1	1387	ENGINE 8HP HONDA	1	
1	20469	ENGINE 8HP BRIGGS & STRATTON	1	
1	1256	ENGINE 8HP ROBIN	1	
2	0310	SQUARE KEY 1/4X1/4X1.1/2"	1	
3	0250	AUTOMATIC CLUTCH ASSY. 1" BORE	1 INCLS. ALL ITEMS W/*
4*	0252	SPINDLE 1" BORE	1	
5*	0251	CLUTCH HOUSING DRUM	1	
6*	0458	CLUTCH HOUSING DRUM BUSHING	1	
7*	0454	WEIGHT SET (INCLUDES 4 WEIGHT)	1	
8*	0855	SPRING	1	
9*	0253	CLUTCH EXPANSION PLATE	1	
10*	0457	HSSS 3/8-24X1/2"	1	
11*	0456	BELT RUNNER (BEARING)	1	
12	0261	BELT (A31)(HONDA,B&S)	1	
13	1127	PULLEY	1	
14	1335	BELT GUARD	1	
15	0181B	LOCK WASHER 1/4"	2	
16	2577	T-BOLT 1/4-20	2	
17	0300B	FLAT WASHER 5/16"	4	
18	0161C	LOCK WASHER 5/16"	4	
19	10181	HHCS 5/16-24 x 1-1/4"	4	
20	1391	HHCS 5/16-24 x 1-1/2"	4	
21		LIFT STRAP	1 CONTACT UNIT SALES DEPT./ACCESSORY ITEM
28	0152 1	BELT (A30) GATES (ROBIN)	1	

BA-SERIES TROWEL — HAND CLUTCH ASSY.

HAND CLUTCH ASSY.



⚠ SEE GEARBOX AND ENGINE MOUNTS ITEM 36 PAGE 52.

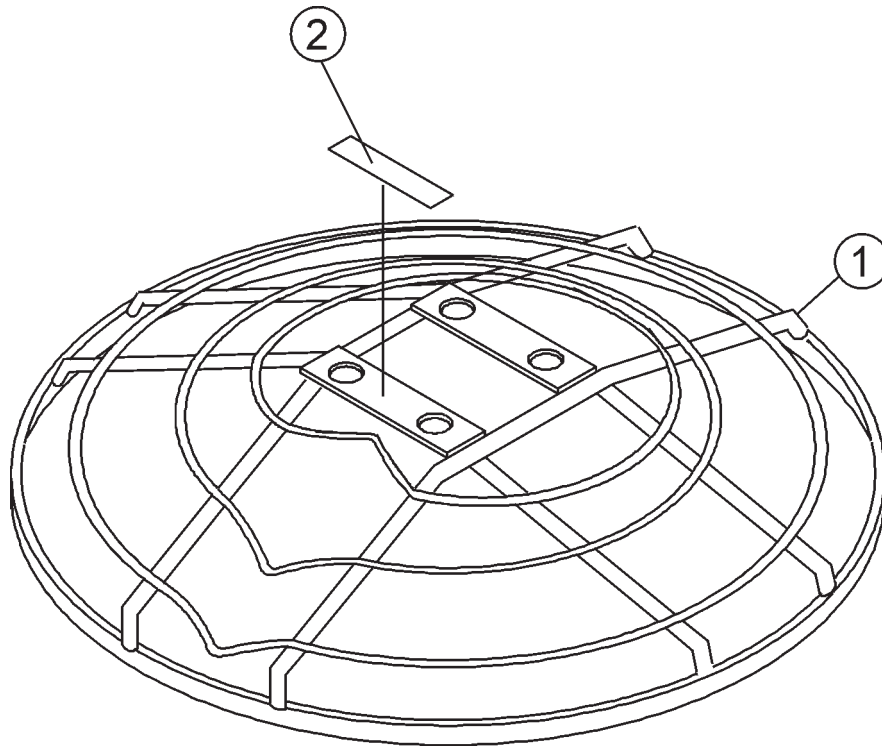
BA-SERIES TROWEL — HAND CLUTCH ASSY.

HAND CLUTCH ASSY.

<u>NO.</u>	<u>PART NO.</u>	<u>PART NAME</u>	<u>QTY.</u>	<u>REMARKS</u>
1	1387	ENGINE DRIVE ASSY. 8 HP HONDA	1	
2	10036	CLUTCH ASSIST HANDLE ASSY.	1	
3	6014C	HEX FINISH NUT 5/16-24	1	
4	0300B	FLAT WASHER 5/16"	5	
5	10181	SCREW, HHC 5/16-24X1.1/4"	1	
6	10450	SHSS 10-32X1/4"	1	
7	0310	KEY, CLUTCH 1/4 x 1/4 x 1.1/2"	1	
8	0181B	LOCK WASHER 1/4"	4	
9	1672	SCREW, HHC 3/8-24 x 1"	1	
10	10936	HAND CLUTCH CABLE ASSY.	1	
11	10971	SHOULDER BOLT 5/16X1.1/2"	1	
12	2469	PULLEY,ENGINE	1	
13	1512	HAND CLUTCH CONTROL LEVER	1	
14	10831	BELT GUARD MOUNT	1	
15	10833	BELT GUARD	1	
16	0730	HHCS 1/4-20X1"	4	
17	0262	BELT,(A33)(HONDA)	1	
18	1127	PULLEY,DRIVEN(HONDA)	1	
19	10229	HHCS 5/16-24X1"	2	
20	0161C	LOCK WASHER 5/16"	2	
21	10898	CLUTCH BRKT.	1	
22	10281	BOLT, SHOULDER 3/8-x 1.1/2"	1	
23	10935	PULLEY,IDLER	1	
24	20981	SHOE, BELT HAND CLUTCH	1	
25	13351	WASHER, FLAT 3/8 USS EXT THK HI STR	1	
26	10822	CLUTCH IDLER LEVER	1	

BA-SERIES TROWEL — GUARD RING ASSY.

GUARD RING ASSY.



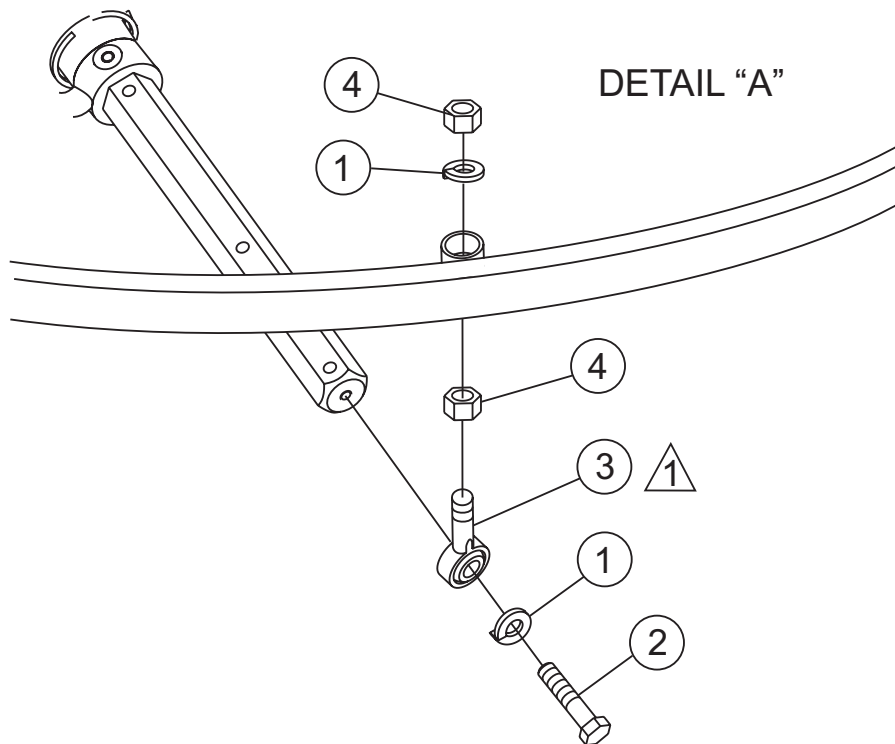
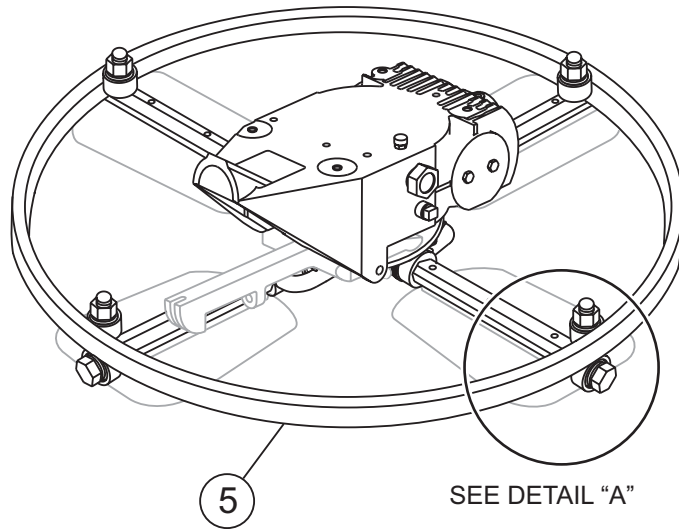
BA-SERIES TROWEL — GUARD RING ASSY.

GUARD RING ASSY.

<u>NO.</u>	<u>PART NO.</u>	<u>PART NAME</u>	<u>QTY.</u>	<u>REMARKS</u>
1	20797	STATIONARY GUARD RING	1	
2	1489	SPIDER PLATE ASSY 16-1/2" ARM (EXT)	1	3-BLADE MODEL
2	1490	SPIDER PLATE ASSY 16-1/2" ARM (EXT)	1	4-BLADE MODEL

BA-SERIES TROWEL — STABILIZER RING ASSY.

STABILIZER RING ASSY.



▲ 1 APPLY LOCTITE 242 BLUE OR EQUIVALENT.

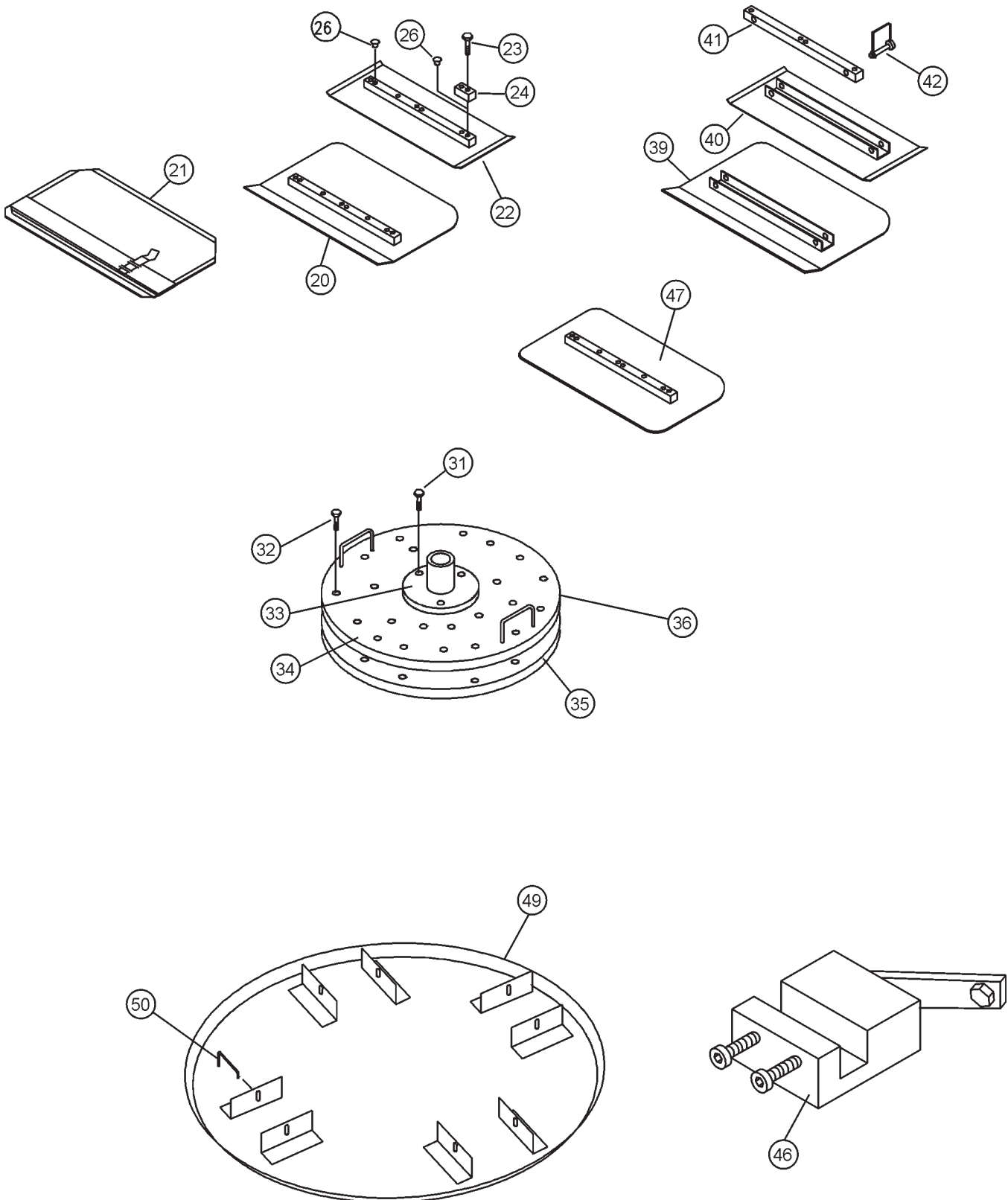
BA-SERIES TROWEL — STABILIZER RING ASSY.

STABILIZER RING ASSY.

<u>NO</u>	<u>PART NO</u>	<u>PART NAME</u>	<u>QTY.</u>	<u>REMARKS</u>
1	0161C	WASHER, LOCK, 5/16 MED	4	
2	1237	SCREW, SCH 5/16-18 X 7/8, NYL, NP	4	
3	1723	ROD END, 5/16-24 MALE	4	
4	6014C	NUT, HEX FINISH 5/16-24	8	
5	1482	RING, STABILIZER, 14-1/2" ARM	1	3-BLADE MODEL, REPLACES P/N 1234
5	1483	RING, STABILIZER, 14-1/2" ARM	1	4-BLADE MODEL, REPLACES P/N 1235

BA-SERIES TROWEL — BLADES & ADJUSTMENT FIXTURE ASSY.

BLADES & ADJUSTMENT FIXTURE ASSY.



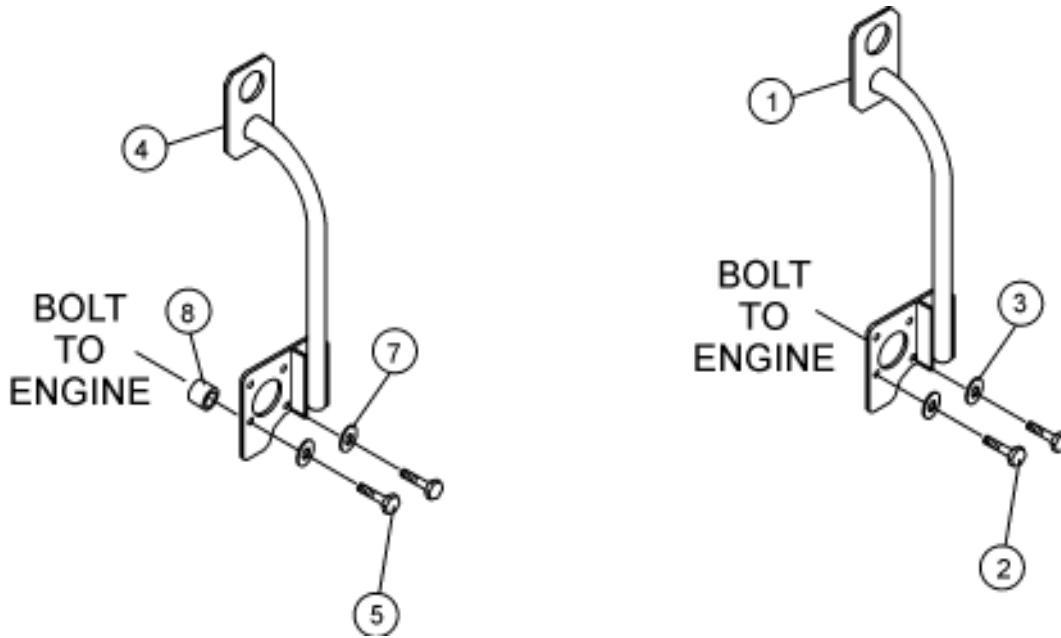
BA-SERIES TROWEL — BLADES & ADJUSTMENT FIXTURE ASSY.

BLADES & ADJUSTMENT FIXTURE ASSY.

<u>NO.</u>	<u>PART NO.</u>	<u>PART NAME</u>	<u>QTY.</u>	<u>REMARKS</u>
20		COMBO FLOAT & FINISH BLADE	3,4	CONTACT UNIT SALES DEPT./ACCESSORY ITEM
20		ENDURO COMBO FLOAT & FINISH BLADE	3,4	CONTACT UNIT SALES DEPT./ACCESSORY ITEM
21		FLOAT BLADE	3,4	CONTACT UNIT SALES DEPT./ACCESSORY ITEM
22		FINISH BLADE	3,4	CONTACT UNIT SALES DEPT./ACCESSORY ITEM
22		ENDURO FINISH BLADE W/ROTATING	3,4	CONTACT UNIT SALES DEPT./ACCESSORY ITEM
23	0202	HHCS 5/16-18X1" RING	3,4	
24	0201	GUARD RING LUG RING	3,4	
26	1434	TROWEL LUG (FINISH BLADE ONLY)	3,4	
27	1162A	LUBRA-CAP	3,4	
28	1482	STABILIZER RING 14 1/2" ARM (B-3 MODEL)	1	
28	1483	STABILIZER RING 14 1/2" ARM (B-4 MODEL)	1	
29	6014C	HEX NUT 5/16-24	6,8	
30	1237	HHCS 5/16-18X7/8" NY-LOC	3,4	
31	0490	SHCS 7/16-14X1"	3	
32	0487	SHCS 3/8-16X1/2"	20	
33	0489	GRINDING DISC HUB	1	
34	0488	STONE MOUNT PLATE	1	
35		GRINDING DISC STONE ONLY	1	CONTACT UNIT SALES DEPT./ACCESSORY ITEM
36		GRINDING DISC ASSY.	1	CONTACT UNIT SALES DEPT./ACCESSORY ITEM
39		UNIVERSAL COMBO BLADE	3,4	CONTACT UNIT SALES DEPT./ACCESSORY ITEM
39		ENDURO UNIVERSAL COMBO BLADE	3,4	CONTACT UNIT SALES DEPT./ACCESSORY ITEM
40		UNIVERSAL FINISH BLADE	3,4	CONTACT UNIT SALES DEPT./ACCESSORY ITEM
40		ENDURO UNIVERSAL FINISH BLADE	3,4	CONTACT UNIT SALES DEPT./ACCESSORY ITEM
41		UNIVERSAL MOUNTING BAR	3,4	CONTACT UNIT SALES DEPT./ACCESSORY ITEM
42		SNAP PIN 1/4"X1.3/4"	6,8	CONTACT UNIT SALES DEPT./ACCESSORY ITEM
44	0166A	LOCK WASHER 3/8"	3,4	
46		TROWEL ARM ADJ. FIXTURE ASSY.	1	CONTACT UNIT SALES DEPT./ACCESSORY ITEM
47		REVERSIBLE COMBO BLADE	3,4	CONTACT UNIT SALES DEPT./ACCESSORY ITEM
48	1723	MALE R.H. ROD END 5/16"	1	
49		FLOAT DISC	1	CONTACT UNIT SALES DEPT./ACCESSORY ITEM
50		FLOAT DISC LATCH PIN	4	CONTACT UNIT SALES DEPT./ACCESSORY ITEM

BA-SERIES TROWEL — LIFTING BALE ASSY. (OPTION)

LIFTING BALE ASSY. (OPTION)



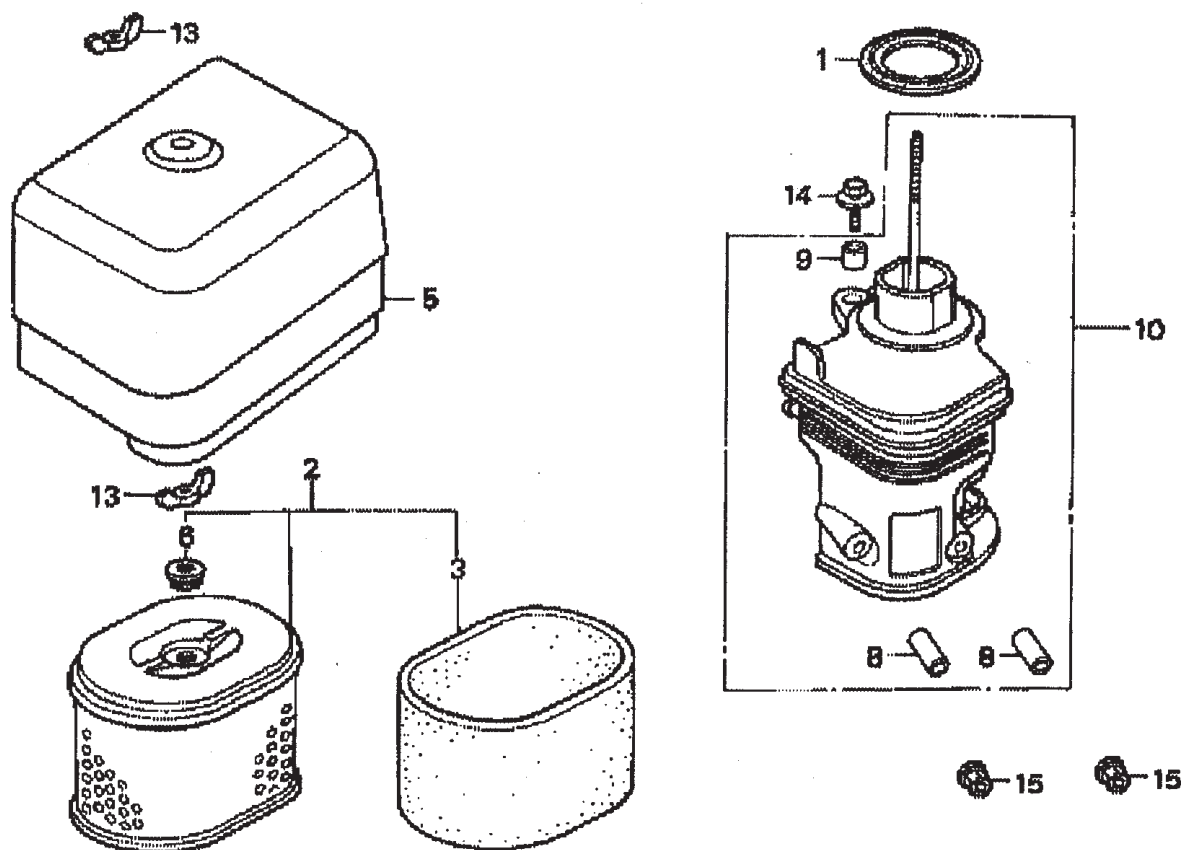
BA-SERIES TROWEL — LIFTING BALE ASSY. (OPTION)

LIFTING BALE ASSY. (OPTION)

NO.	PART NO.	PART NAME	QTY.	REMARKS
1		LIFTING BALE ASSY.	1	CONTACT UNIT SALES DEPT./ACCESSORY ITEM
2	10229	HHCS 5/16-24X1"	4	
3	0161C	LOCK WASHER 5/16"	4	
4		LIFTING BALE ASSY.	1	CONTACT UNIT SALES DEPT./ACCESSORY ITEM
5	0205	HHCS 3/8-16X1"	3	
6	1394	FHSCS 3/8-16X1"	1	
7	0166A	LOCK WASHER 3/8"	3	
8	1897	SPACER (ROBIN ENGINE)	4	

HONDA GX240K1QA2 ENGINE — AIR CLEANER ASSY.

AIR CLEANER ASSY.



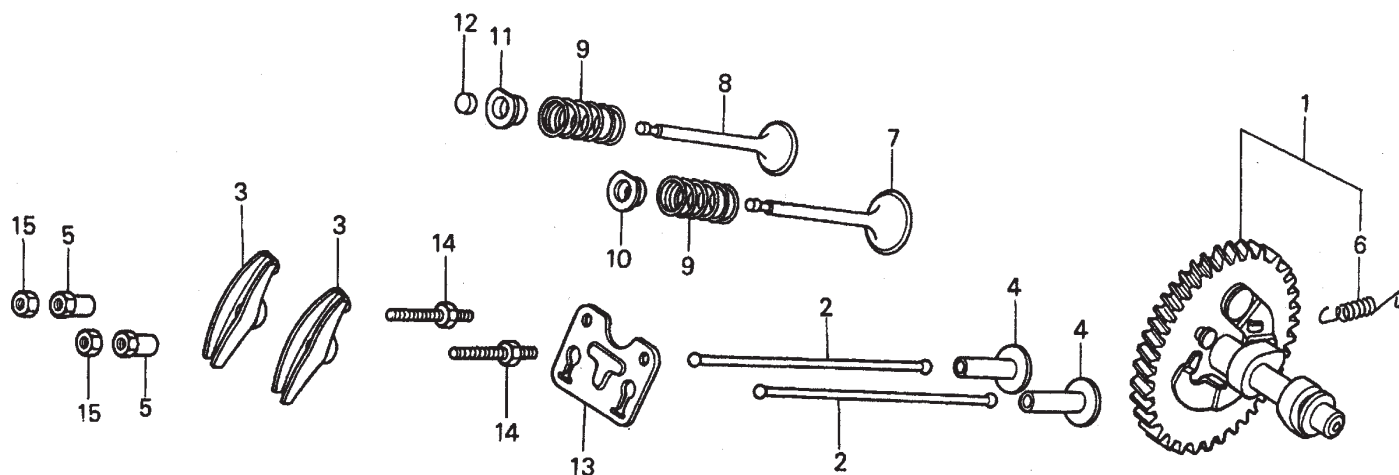
HONDA GX240K1QA2 ENGINE — AIR CLEANER ASSY.

AIR CLEANER ASSY.

<u>NO.</u>	<u>PART NO.</u>	<u>PART NAME</u>	<u>QTY.</u>	<u>REMARKS</u>
1	16271ZE2000	GASKET, ELBOW	1	
2	17210ZE2822	ELEMENT, AIR CLEANER, DUAL	1	INCLUDES ITEMS W/*
3*	17218ZE2505	FILTER, OUTER	1	
5	17231ZH9820	COVER, AIR CLEANER	1	
6	17232891000	GROMMET, AIR CLEANER	1	
8%	17238ZE2310	COLLAR, AIR CLEANER	2	
9%	17239ZE1000	COLLAR B, AIR CLEANER	1	
10	17410ZE2020	ELBOW COMP., AIR CLEANER	1	INCLUDES ITEMS W/%
13	90325044000	WINGNUT, TOOL BOX SETTING	2	
14	90009ZE2003	BOLT- WASHER 6 X 22	1	
15	9405006000	NUT, FLANGE 6MM	2	

HONDA GX240K1QA2 ENGINE — CAMSHAFT ASSY.

CAMSHAFT ASSY.



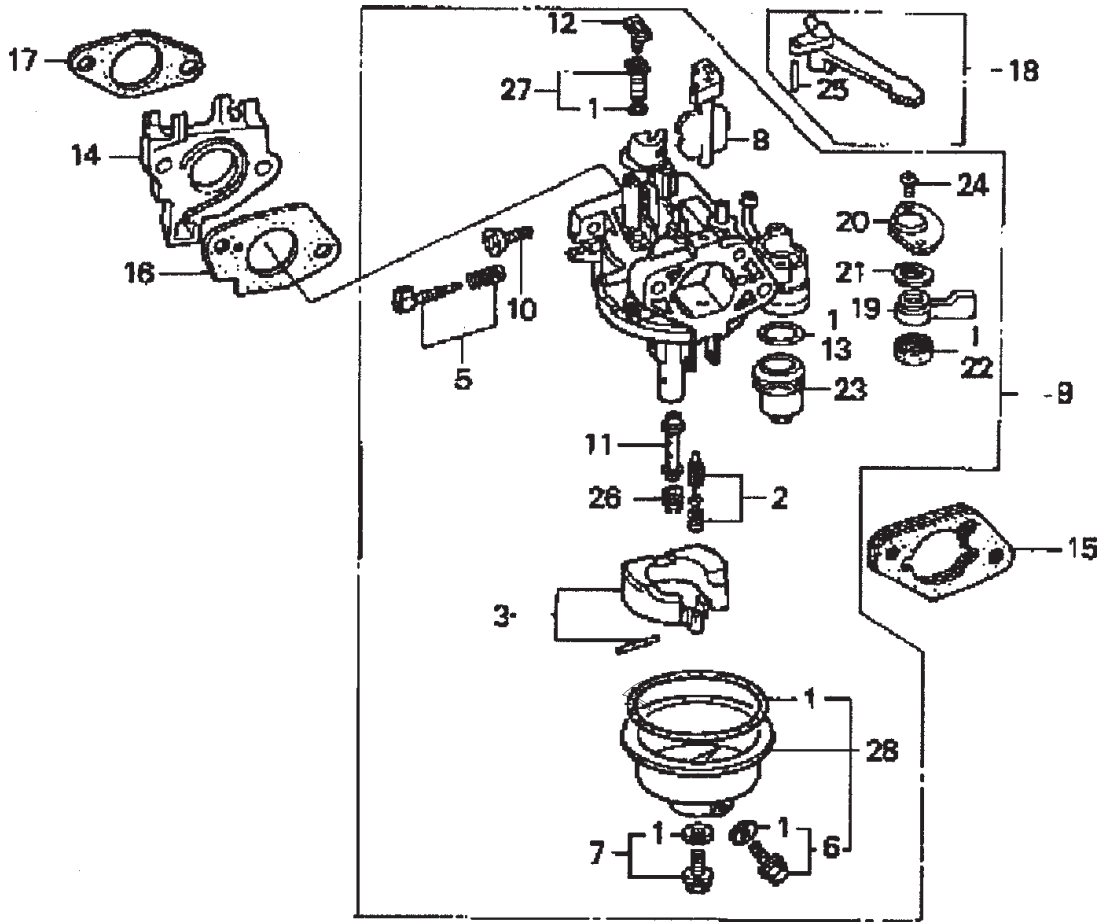
HONDA GX240K1QA2 ENGINE — CAMSHAFT ASSY.

CAMSHAFT ASSY.

<u>NO.</u>	<u>PART NO.</u>	<u>PART NAME</u>	<u>QTY.</u>	<u>REMARKS</u>
1	14100ZE2W01	CAMSHAFT ASSY.	1	INCLUDES ITEMS W/*
2	14410ZE2013	ROD PUSH	2	
3	14431ZE2010	ARM VALVE ROCKER	2	
4	14441ZE2000	LIFTER VALVE	2	
5	14451ZE1013	PIVOT ROCKER ARM	2	
6*	14568ZE1000	SPRING, WEIGHT RETURN	1	
7	14711ZE2000	VALVE, IN.	1	
8	14721ZE2000	VALVE, EX.	1	
9	14751ZE2003	SPRING, VALVE	2	
10	14771ZE2000	RETAINER, IN. VALVE SPRING	1	
11	14773ZE2000	RETAINER, EX. VALVE SPRING	1	
12	14781ZE2000	ROTATOR, VALVE	1	
13	14791ZE2010	PLATE, PUSH ROD GUIDE	1	
14	90012ZE0010	BOLT, PIVOT 8MM	2	
15	90206ZE1000	NUT, PIVOT ADJ.	2	

HONDA GX240K1QA2 ENGINE — CARBURETOR ASSY.

CARBURETOR ASSY.



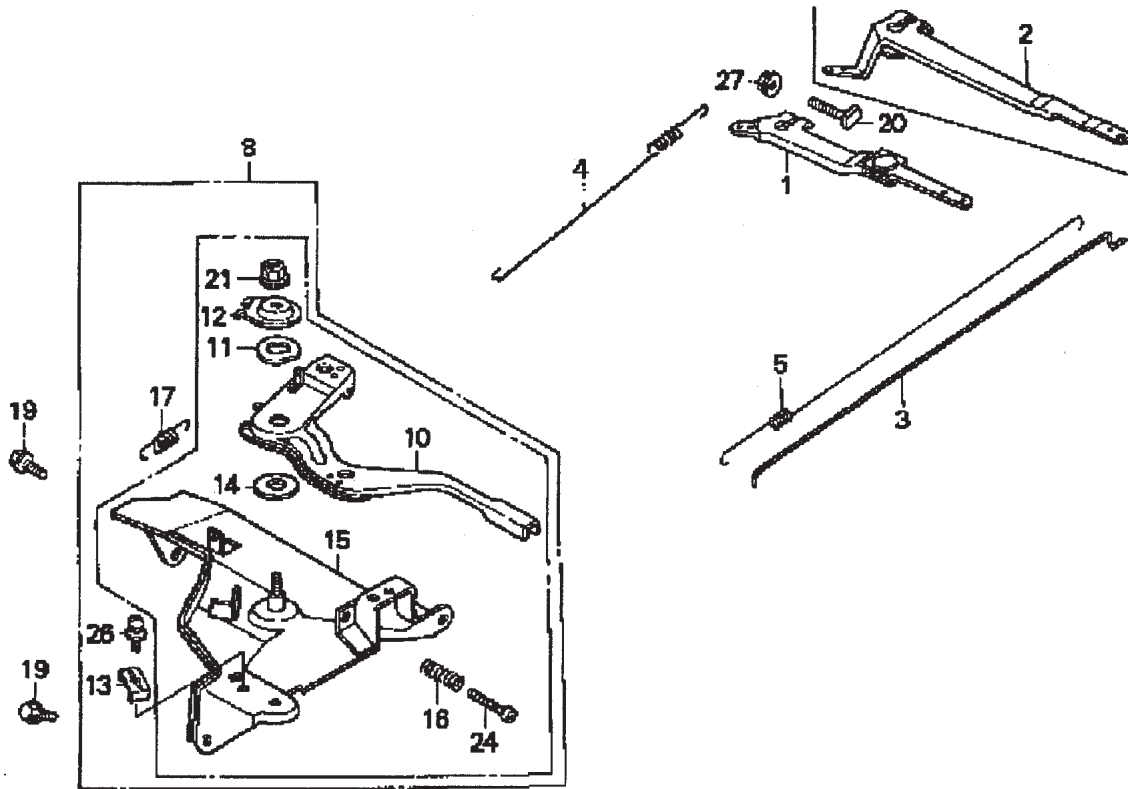
HONDA GX240K1QA2 ENGINE — CARBURETOR ASSY.

CARBURETOR ASSY.

<u>NO.</u>	<u>PART NO.</u>	<u>PART NAME</u>	<u>QTY.</u>	<u>REMARKS</u>
1* %+	16010ZE2812	GASKET SET	1	
2*	16011ZA0931	VALVE SET, FLOAT	1	
3*	16013ZA0931	FLOAT SET	1	
5*	16016ZHW01	SCREW SET	1	
6*+	16024ZE1811	SCREW SET, DRAIN	1	
7*	16028ZE0005	SCREW SET B	1	
8*	16028ZE2005	CHOKE SET	1	
9	16100ZE2W71	CARBURETOR ASSY.....	1	INCLUDES ITEMS W/*
10*	16124ZE0005	SCREW, THROTTLE STOP	1	
11*	16166ZE2W70	NOZZLE, MAIN	1	
12*	16172ZE3W10	COLLAR, SET	1	
13*	16173001004	O-RING	1	
14	16211ZE2000	INSULATOR, CARBURETOR	1	
15	16220ZA0702	SPACER COMP., CARBURETOR	1	
16	16221ZA0800	GASKET, CARBURETOR	1	
17	16223ZA0800	GASKET, INSULATOR	1	
18	16610ZE1000	LEVER COMP., CHOKE, STD.	1	INCLUDES ITEMS W/■
19*	16953ZE1812	LEVER, VALVE	1	
20*	16954ZE1811	PLATE, LEVER SETTING	1	
21*	16956ZE1811	SPRING, VALVE LEVER	1	
22*	16957ZE1812	GASKET, VALVE	1	
23*	16967ZE0811	CUP, FUEL STRAINER	1	
24	93500030060H	SCREW, PAN 3 X 6	2	
25■	9430520122	PIN, SPRING 2 X 12	1	
26	99101ZH80820	JET, MAIN #82, OPTIONAL	1	
26	99101ZH80850	JET, MAIN #85, OPTIONAL	1	
26*	99101ZH80880	JET, MAIN #88	1	
27*	99204ZE20400	JET SET, PILOT #40	1	INCLUDES ITEMS W/ %
28*	16015ZE8005	CHAMBER SET, FLOAT	1	INCLUDES ITEMS W/+

HONDA GX240K1QA2 ENGINE — CONTROL ASSY.

CONTROL ASSY.



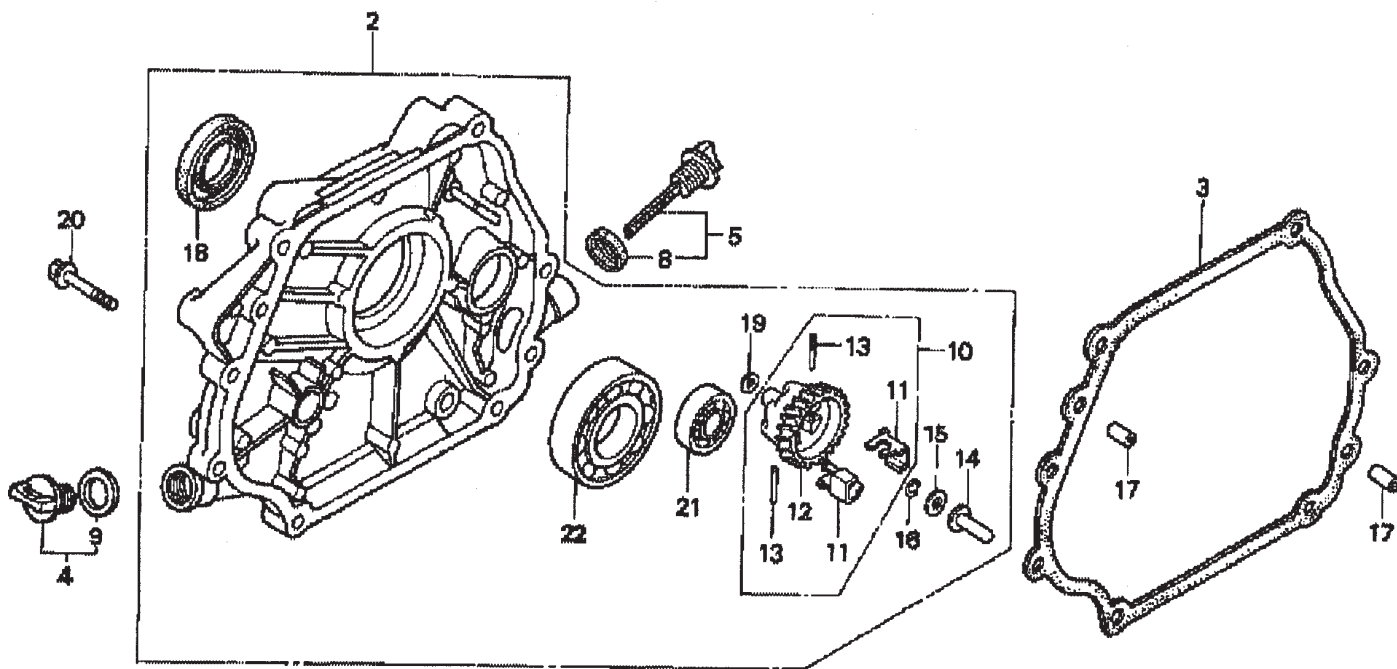
HONDA GX240K1QA2 ENGINE — CONTROL ASSY.

CONTROL ASSY.

<u>NO.</u>	<u>PART NO.</u>	<u>PART NAME</u>	<u>QTY.</u>	<u>REMARKS</u>
1	16550ZE2700	ARM, GOVERNOR	1	
2	16551ZE2000	ARM, GOVERNOR	1	
3	16555ZE2000	ROD, GOVERNOR	1	
4	16561ZE2000	SPRING, GOVERNOR	1	
5	16562ZE2000	SPRING, THROTTLE RETURN	1	
8	16570ZE2W20	CONTROL ASSY., REMOTE	1	INCLUDES ITEMS W/*
10*	16571ZE2W00	LEVER, CONTROL	1	
11*	16574ZE1000	SPRING, LEVER	1	
12*	16575ZE2W00	WASHER, CONTROL LEVER	1	
13*	16576891000	HOLDER, CABLE	1	
14*	16578ZE1000	SPACER, CONTROL LEVER	1	
15*	16581ZE2W00	BASE COMP., CONTROL	1	
16*	16584883300	SPRING, CONTROL ADJUSTING	1	
17*	16592883310	SPRING, CABLE RETURN	1	
19	90013883000	BOLT, FLANGE 6 X 12 CT200	2	
20	90015ZE5010	BOLT, GOVERNOR ARM	1	
21	90114SA0000	NUT, SELF-LOCK 6MM	1	
24*	93500050280A	SCREW, PAN 5 X 28	1	
26*	93500050160A	SCREW, PAN 5 X 16	1	
27	9405006000	NUT, FLANGE 6MM	1	

HONDA GX240K1QA2 ENGINE — CRANKCASE COVER ASSY.

CRANKCASE COVER ASSY.



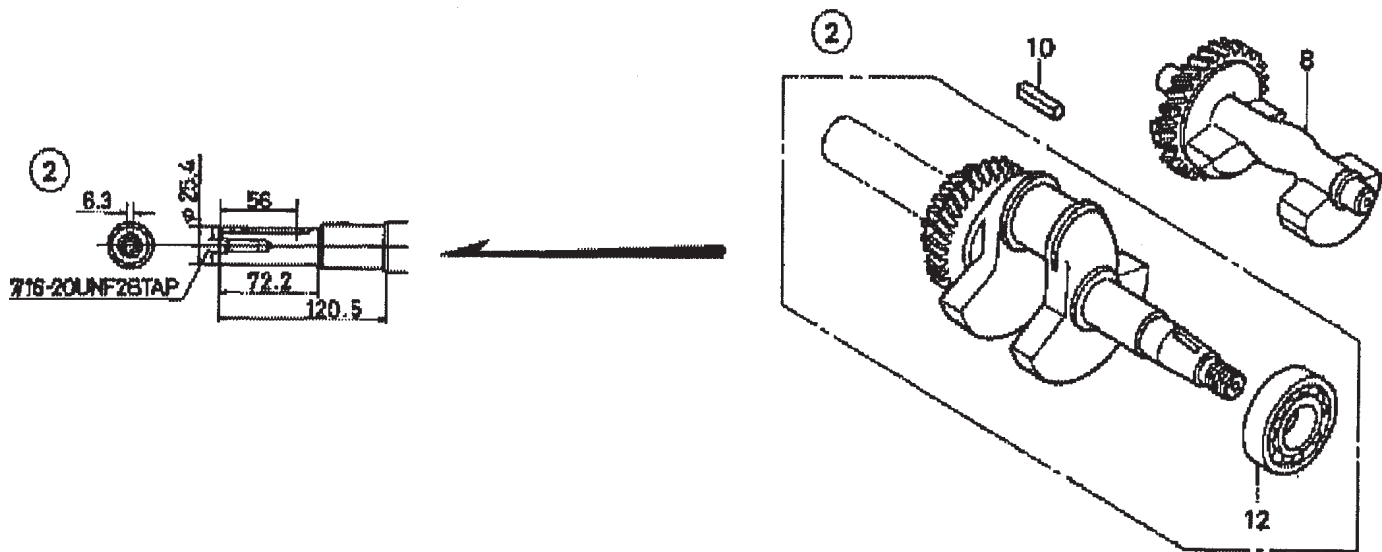
HONDA GX240K1QA2 ENGINE — CRANKCASE COVER ASSY.

CRANKCASE COVER ASSY.

<u>NO.</u>	<u>PART NO.</u>	<u>PART NAME</u>	<u>QTY.</u>	<u>REMARKS</u>
2	11400ZE2601	COVER ASSY., CRANKCASE	1	INCLUDES ITEMS W/*
3	11381ZE2801	GASKET, CASE COVER	1	
4	15600ZG4003	CAP ASSY., OIL FILLER	1	INCLUDES ITEMS W/%
5	15600735003	CAP ASSY., OIL FILLER	1	INCLUDES ITEMS W/+
8+	15625ZE1000	GASKET, OIL FILLER CAP	1	
9%	15625ZE1003	GASKET, OIL FILLER CAP	1	
10*	16510ZE2811	GOVERNOR ASSY., BALANCER	1	INCLUDES ITEMS W/\$
11*\$	16511ZE2000	WEIGHT, GOVERNOR	2	
12*\$	16512ZE2811	HOLDER, GOVERNOR WEIGHT	1	
13*\$	16513ZE2000	PIN, GOVERNOR WEIGHT	2	
14*	16531ZE2000	SLIDER, GOVERNOR	1	
15*	90473147000	WASHER 6 X 16	1	
16*	90602ZE1000	CLIP, GOVERNOR HOLDER	1	
17	90701HC4000	PIN, DOWEL 8 X 12	2	
18*	91201890003	OIL SEAL 30 X 46 X 8	1	
19*	9410106800	WASHER, PLAIN 6MM	1	
20	957010803500	BOLT, FLANGE 8 X 35	7	
21*	961006202000	BEARING, RADIAL BALL 6202	1	
22*	961006206000	BEARING, RADIAL BALL 6206		

HONDA GX240K1QA2 ENGINE — CRANKSHAFT ASSY.

CRANKSHAFT ASSY.



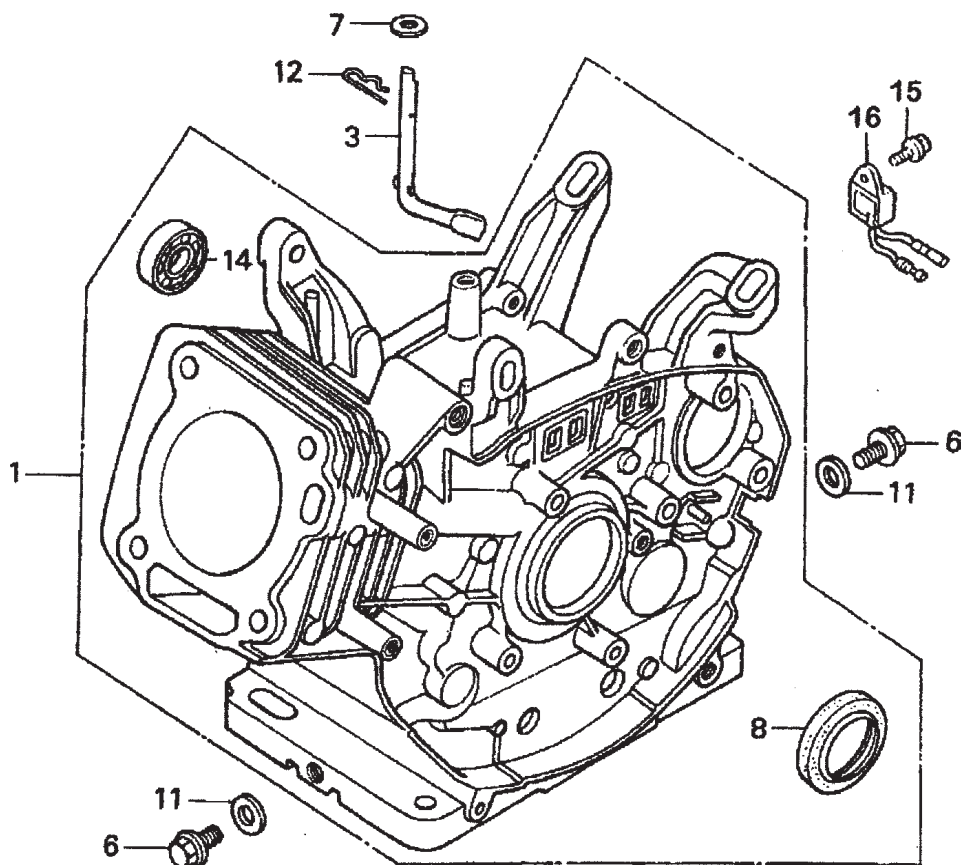
HONDA GX240K1QA2 ENGINE — CRANKSHAFT ASSY.

CRANKSHAFT ASSY.

<u>NO.</u>	<u>PART NO.</u>	<u>PART NAME</u>	<u>QTY.</u>	<u>REMARKS</u>
2	13320ZE2601	CRANKSHAFT COMP., Q- TYPE	1	INCLUDES ITEMS W/*
8	13351ZE2010	WEIGHT, BALANCER	1	
10	90745ZE2600	KEY 6.3 X 6.3 X 43	1	
12*	961006206000	BEARING, RADIAL BALL 6206	1	

HONDA GX240K1QA2 ENGINE — CYLINDER BARREL ASSY.

CYLINDER BARREL ASSY.



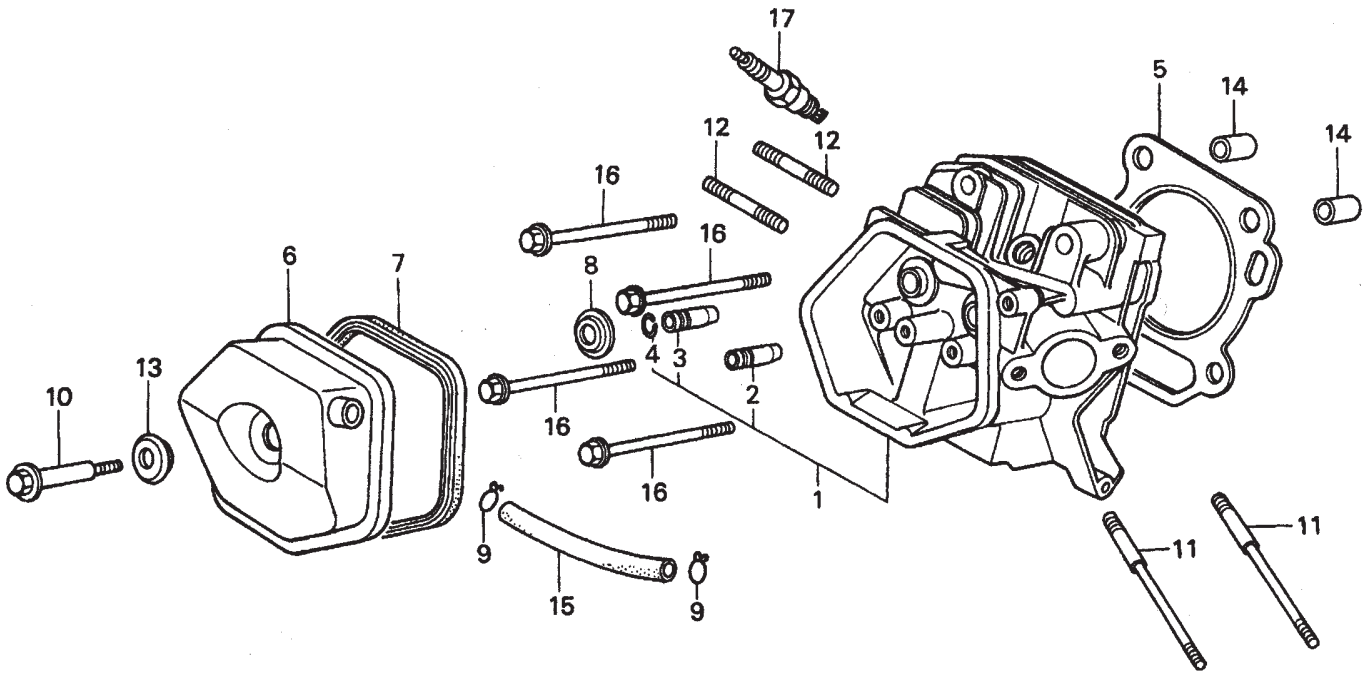
HONDA GX240K1QA2 ENGINE — CYLINDER BARREL ASSY.

CYLINDER BARREL ASSY.

<u>NO.</u>	<u>PART NO.</u>	<u>PART NAME</u>	<u>QTY.</u>	<u>REMARKS</u>
1	12000ZE2834	CYLINDER ASSY., BALANCER + OIL ALERT	1	INCLUDES ITEMS W/*
3	16541ZE2010	SHAFT, GOVERNOR ARM	1	
6	90131896650	BOLT, DRAIN PLUG	2	
7	90446KE1000	WASHER 8.2 X17X0.8	1	
8*	91201890003	OIL SEAL 30X46X8	1	
11	9410912000	WASHER, DRAIN PLUG 12MM	2	
12	9425110000	PIN, LOCK 10MM	1	
14*	961006202000	BEARING, RADIAL BALL 6202	1	
15	90013883000	BOLT, FLANGE 6X12 CT200	1	
16	34150ZH7003	ALERT UNIT, OIL	1	

HONDA GX240K1QA2 ENGINE — CYLINDER HEAD ASSY.

CYLINDER HEAD ASSY.



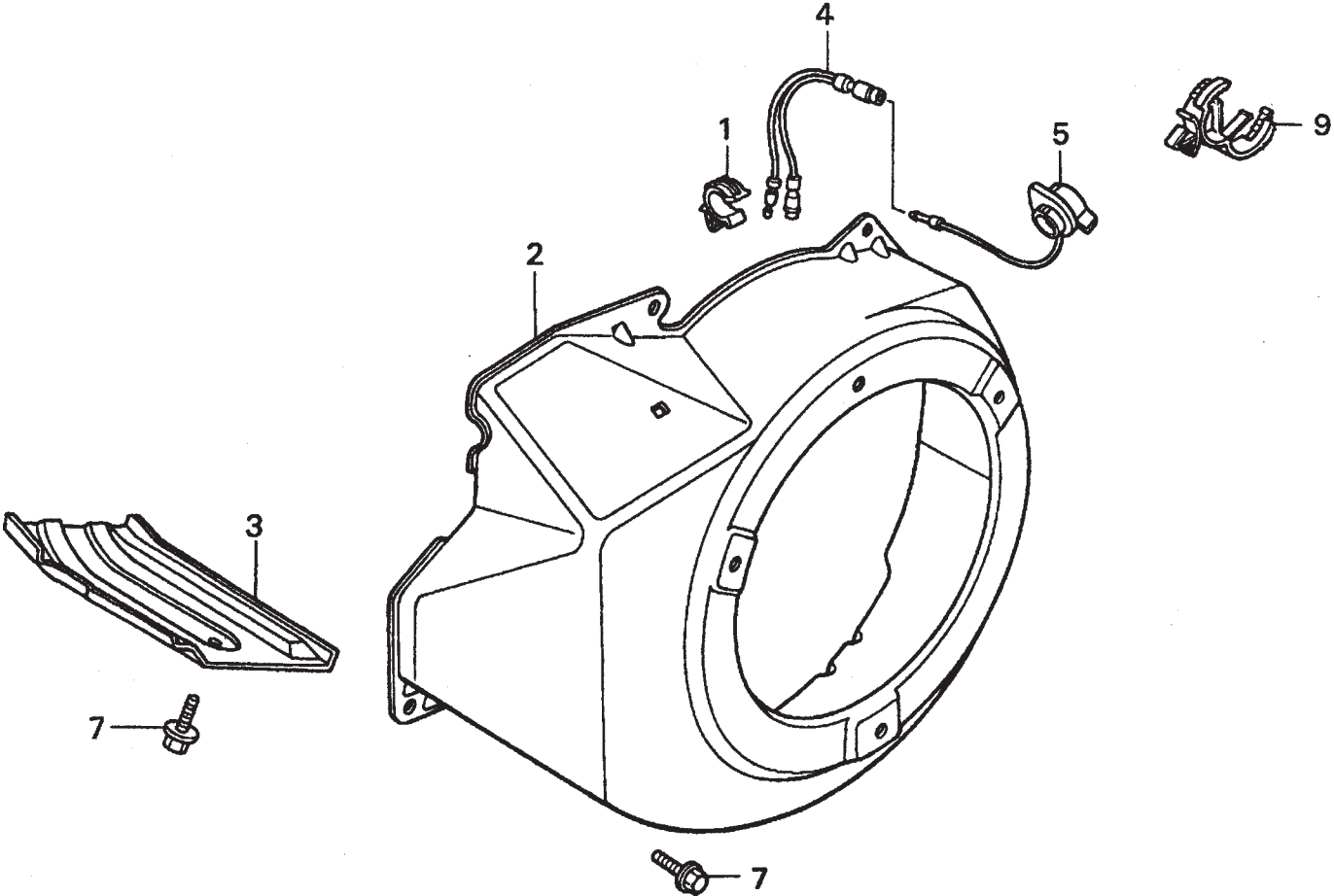
HONDA GX240K1QA2 ENGINE — CYLINDER HEAD ASSY.

CYLINDER HEAD ASSY.

<u>NO.</u>	<u>PART NO.</u>	<u>PART NAME</u>	<u>QTY.</u>	<u>REMARKS</u>
1	12200ZH9000	CYLINDER HEAD COMP.	1	INCLUDES ITEMS W/*
2*	12204ZE2306	GUIDE, VALVE, OS, OPTIONAL	1	
3*	12205ZE2305	GUIDE, EX. VALVE, OS, OPTIONAL	1	
4*	12216ZE2300	CLIP, VALVE GUIDE	1	
5	12251ZE2800	GASKET, CYLINDER HEAD	1	
6	12310ZE2020	COVER COMP., HEAD	1	
7	12391ZE2020	GASKET, CYLINDER HEAD COVER	1	
8	14775ZE2010	SEAT, VALVE SPRING	1	
10	90014ZE2000	BOLT, HEAD COVER	1	
11	90042ZE2000	BOLT, STUD 8X123	2	
12	92900080320E	BOLT 2, STUD 8X32	2	
13	90441ZE2010	WASHER COMP., HEAD COVER	1	
14	9430112200	PIN A, DOWEL 12X20	2	
15	950051100130M	BULK HOSE, VACUUM 11X1000, 11X100	1	
16	957011008000	BOLT, FLANGE 10X80	4	
17	9807955846	SPARK PLUG, BPR5ES, NGK	1	
17	9807955855	SPARK PLUG, W16EPR-U, DENSO, OPTIONAL	1	
17	9807956846	SPARK PLUG, BPR6ES, NGK	1	
17	9807956855	SPARK PLUG, W20EPR-U, DENSO	1	

HONDA GX240K1QA2ENGINE — FAN COVER ASSY.

FAN COVER ASSY.



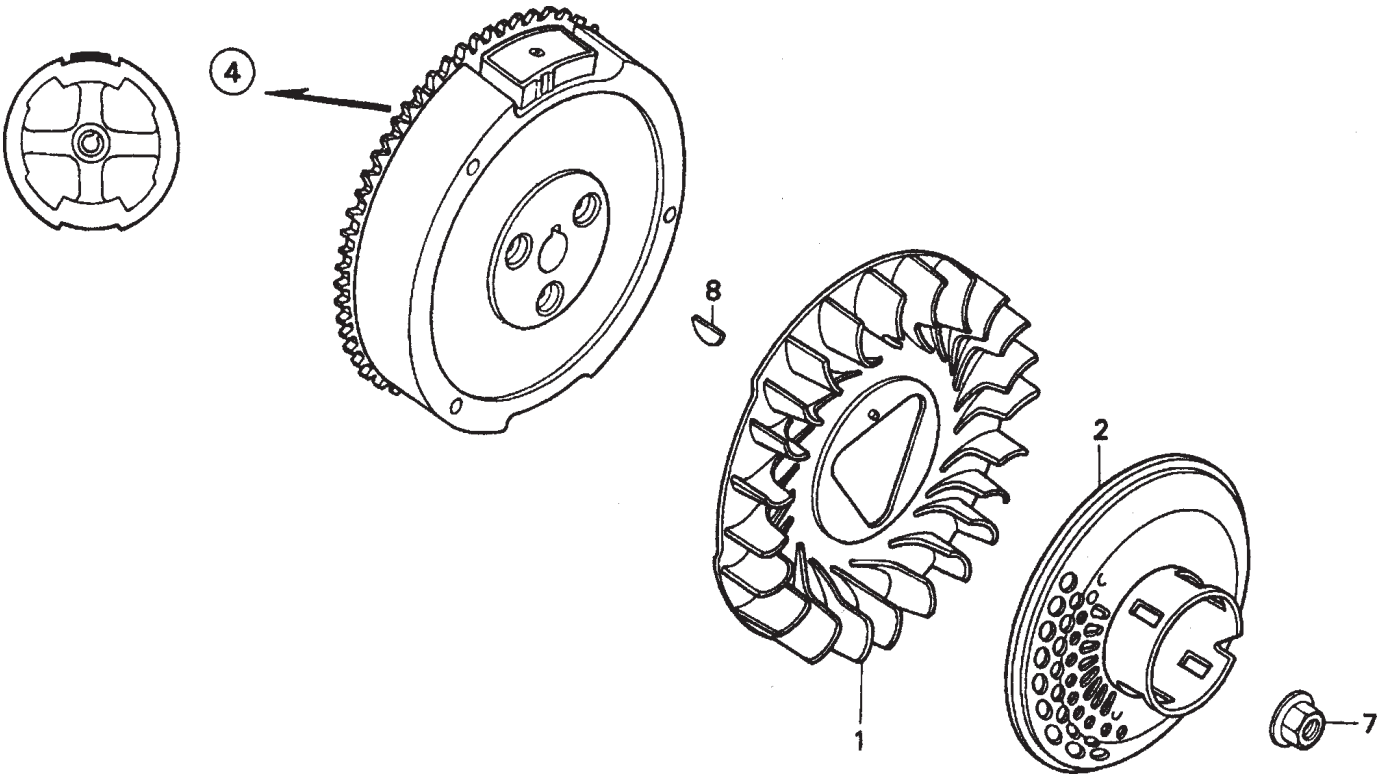
HONDA GX240K1QA2ENGINE — FAN COVER ASSY.

FAN COVER ASSY.

<u>NO.</u>	<u>PART NO.</u>	<u>PART NAME</u>	<u>QTY.</u>	<u>REMARKS</u>
1	16731ZE2003	CLIP, TUBE	1	
2	19610ZE2010ZC	COVER COMP., FAN *NH1* BLACK	1	
3	19631ZE2D00	SHROUD	1	
4	32197ZH8003	SUB-HARNESS	1	
5	36100ZH7003	SWITCH ASSY., ENGINE STOP	1	
7	90013883000	BOLT, FLANGE 6X12, CT200	6	
9	90684ZA0601	CLIP, WIRE HARNESS	1	

HONDA GX240K1QA2 ENGINE — FLYWHEEL ASSY.

FLYWHEEL ASSY.



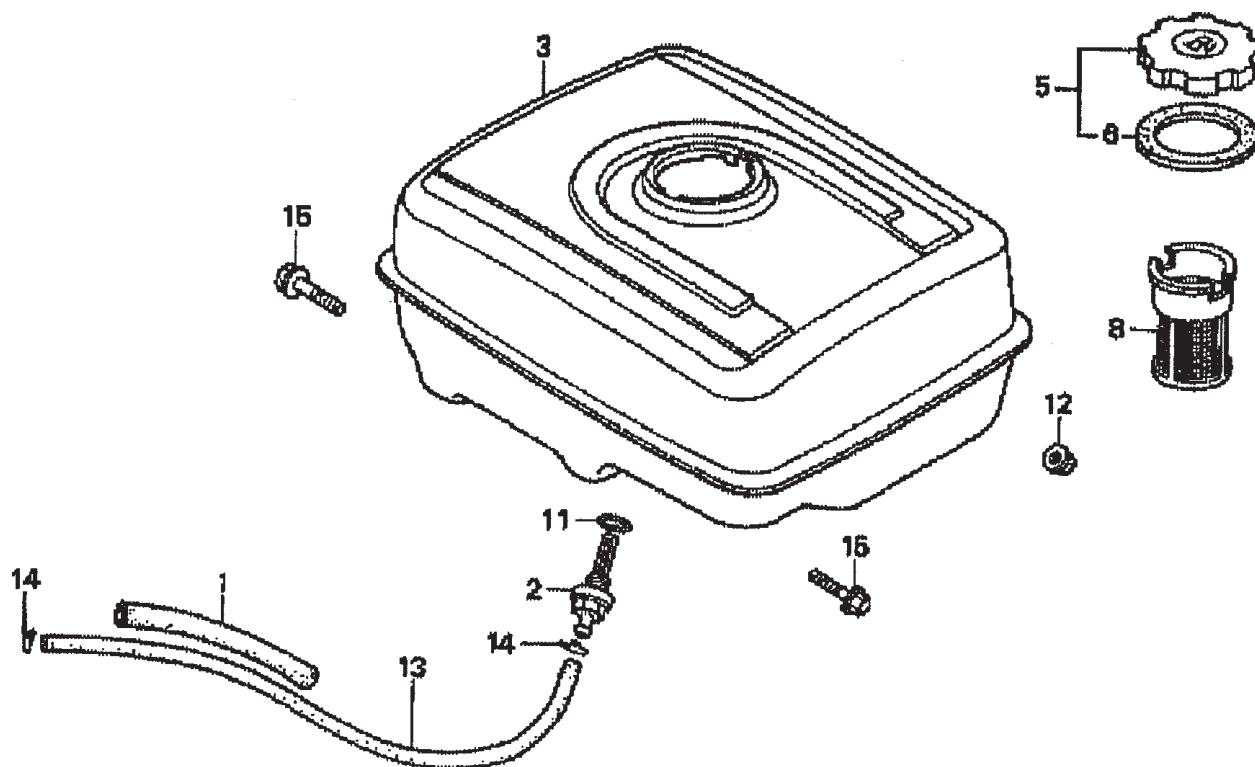
HONDA GX240K1QA2 ENGINE — FLYWHEEL ASSY.

FLYWHEEL ASSY.

<u>NO.</u>	<u>PART NO.</u>	<u>PART NAME</u>	<u>QTY.</u>	<u>REMARKS</u>
1	19511ZE2000	FAN, COOLING	1	
2	28450ZE2W11	PULLEY COMP., STARTER, SCREEN GRID	1	
4	31100ZE2010	FLYWHEEL COMP.	1	
7	90201ZE3V00	NUT, SPECIAL 16MM	1	
8	90741ZE2000	KEY, SPECIAL WOODRUFF 25X18	1	

HONDA GX240K1QA2ENGINE — FUEL TANK ASSY.

FUEL TANK ASSY.



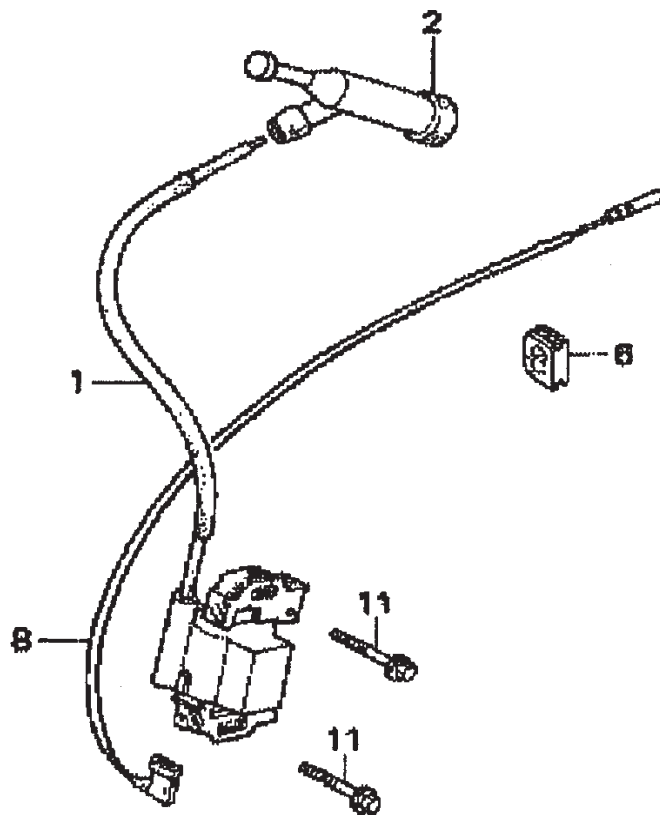
HONDA GX240K1QA2ENGINE — FUEL TANK ASSY.

FUEL TANK ASSY.

<u>NO.</u>	<u>PART NO.</u>	<u>PART NAME</u>	<u>QTY.</u>	<u>REMARKS</u>
1	16854ZH8000	RUBBER SUPPORTER 107MM	1	
2	16955ZE1000	JOINT, FUEL TANK	1	
3	17510ZE2020ZD	TANK COMP., FUEL *NH1*, BLACK	1	
5	17620ZH7023	CAP COMP., FUEL FILLER	1	INCLUDES ITEMS W/*
6*	17631ZH7003	GASKET, FUEL FILLER CAP	1	
8	17672ZE2W01	FILTER, FUEL	1	
11	91353671003	O-RING 14MM, ARAI	1	
12	9405008000	NUT, FLANGE 8MM	2	
13	950014500360M	BULK HOSE, FUEL 4.5X3000, 4.5X222	1	
14	9500202080	CLIP, TUBE, B8	2	
15	957010802500	BOLT, FLANGE 8X25	2	

HONDA GX240K1QA2 ENGINE — IGNITION COIL ASSY.

IGNITION COIL ASSY.



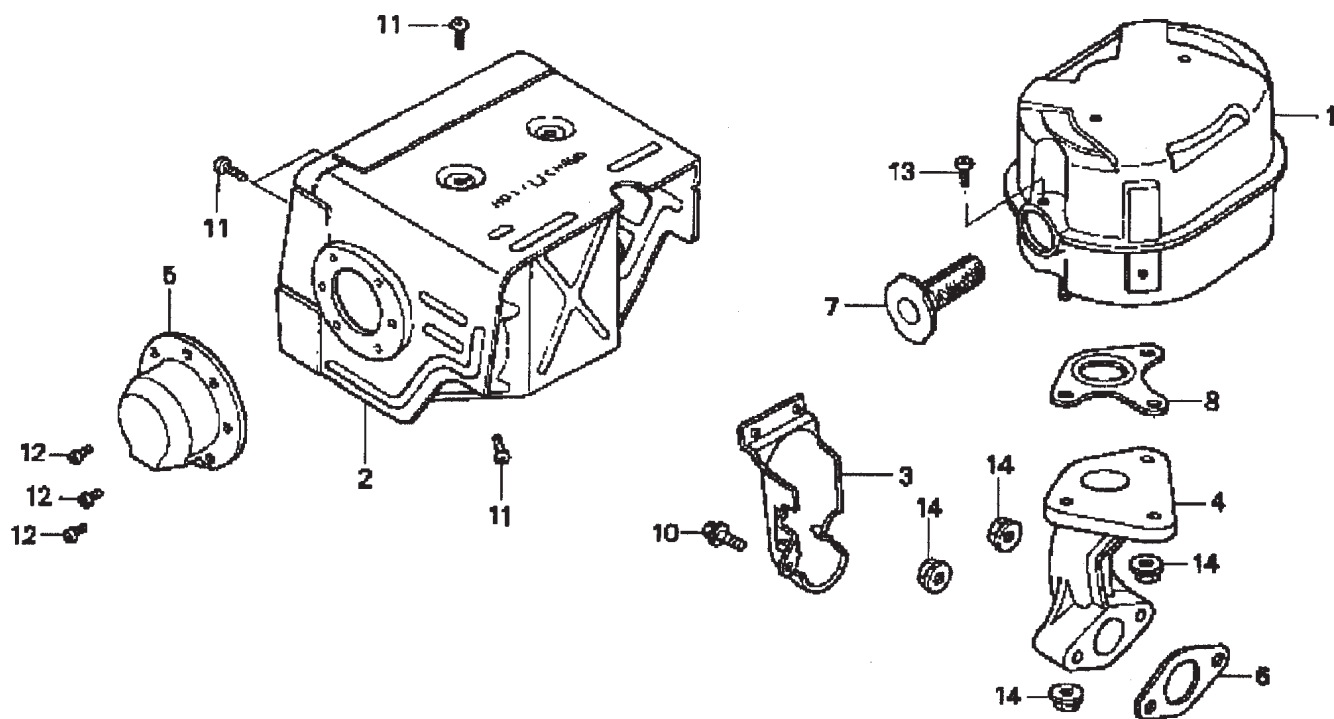
HONDA GX240K1QA2 ENGINE — IGNITION COIL ASSY.

IGNITION COIL ASSY.

<u>NO.</u>	<u>PART NO.</u>	<u>PART NAME</u>	<u>QTY.</u>	<u>REMARKS</u>
1	30500ZE2023	COIL ASSY., IGNITION	1	
2	30700ZE1013	CAP ASSY., NOISE SUPPRESSOR	1	
6	31512ZE2000	GROMMET, WIRE	1	
8	36101ZE1010	WIRE, STOP SWITCH 370MM	1	
11	90015883000	BOLT, FLANGE 6X28	2	

HONDA GX240K1QA2 ENGINE — MUFFLER ASSY.

MUFFLER ASSY.



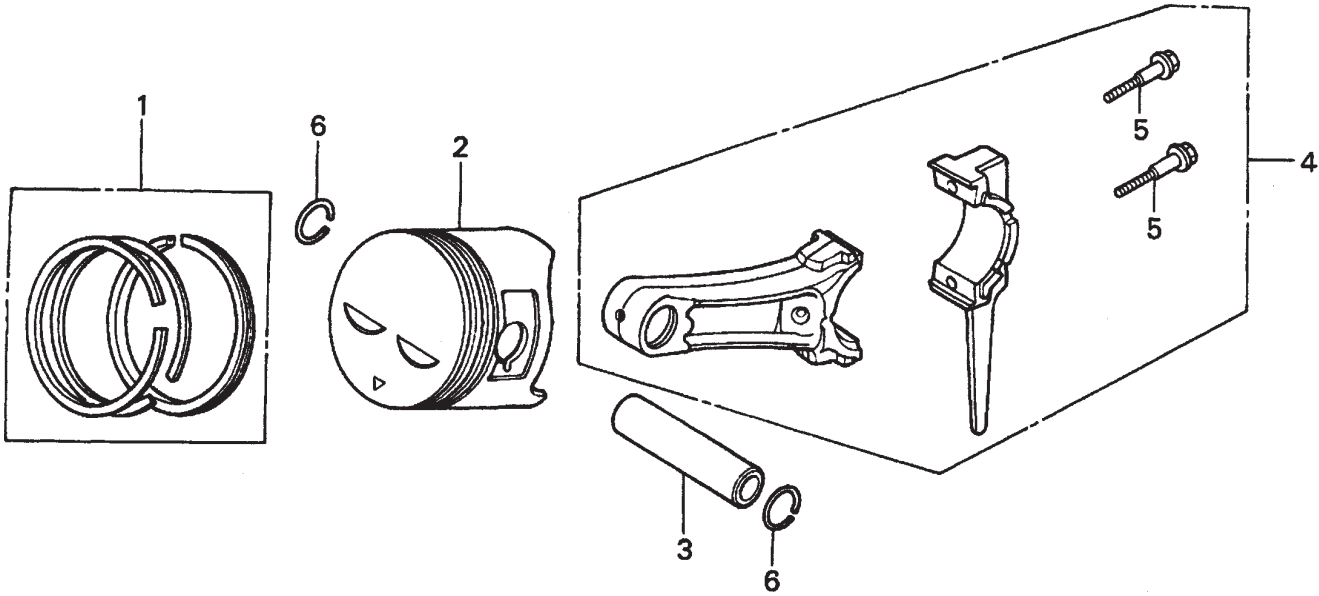
HONDA GX240K1QA2 ENGINE — MUFFLER ASSY.

MUFFLER ASSY.

<u>NO.</u>	<u>PART NO.</u>	<u>PART NAME</u>	<u>QTY.</u>	<u>REMARKS</u>
1	18310ZE2W00	MUFFLER COMP.	1	
2	18320ZE2W01	PROTECTOR COMP., MUFFLER	1	
3	18323ZE2W00	PROTECTOR, EX. PIPE	1	
4	18330ZE2W00	PIPE, EX.	1	
5	18331ZE2810	CAP, MUFFLER	1	
6	18333ZE3800	GASKET, EX. PIPE	1	
7	18355ZE2010	ARRESTER, SPARK	1	
8	18381ZE2W10	GASKET, MUFFLER, ARRESTER	1	
10	90013883000	BOLT, FLANGE 6X12 CT200	1	
11	90050ZE1000	SCREW, TAPPING 5X8	6	
12	90055ZE1000	SCREW, TAPPING 4X6	3	
13	90050ZE1000	SCREW, TAPPING 5X8	1	
14	9405008000	NUT, FLANGE 8MM	5	

HONDA GX240K1QA2 ENGINE — PISTON ASSY.

PISTON ASSY.



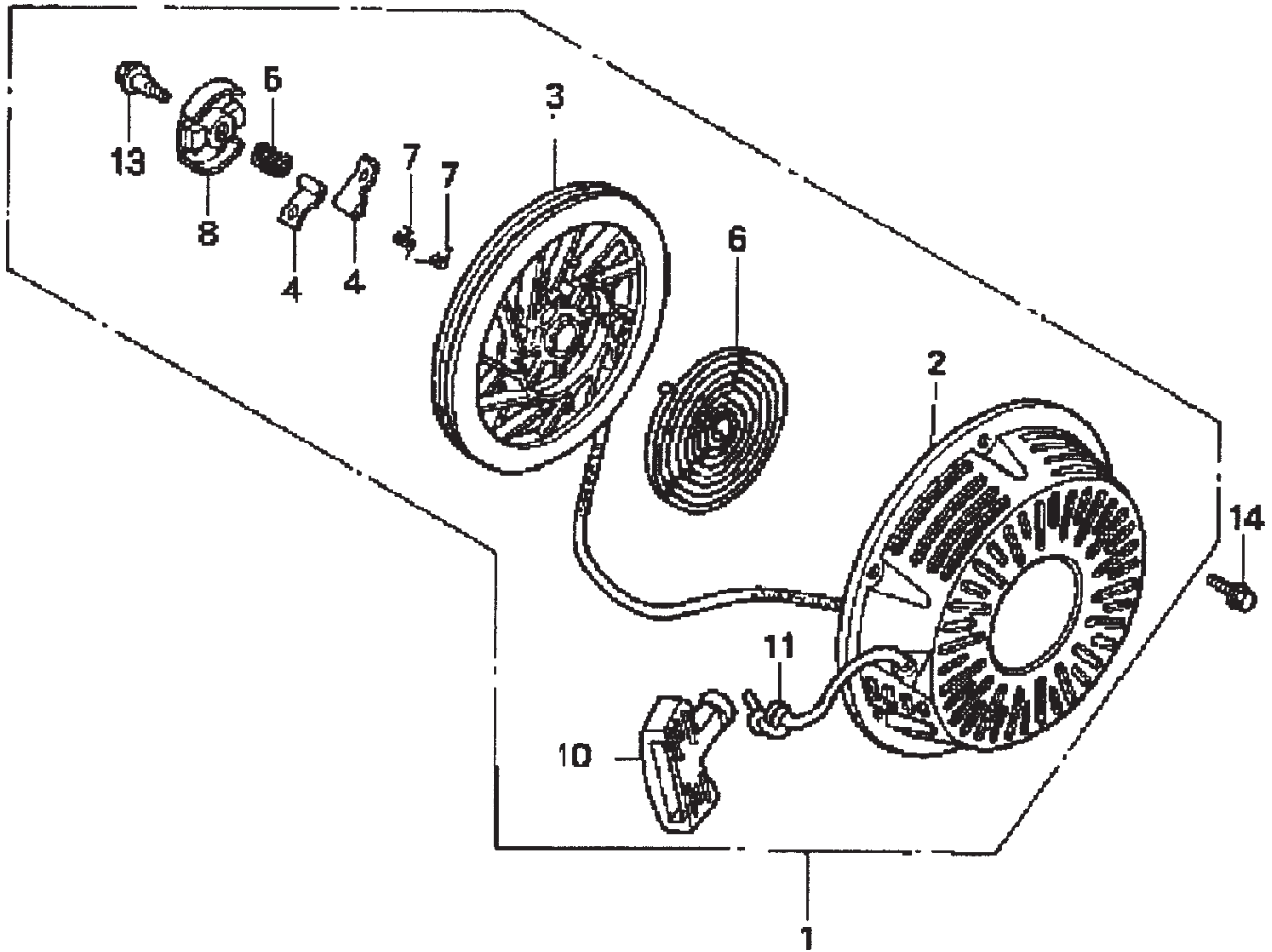
HONDA GX240K1QA2 ENGINE — PISTON ASSY.

PISTON ASSY.

<u>NO.</u>	<u>PART NO.</u>	<u>PART NAME</u>	<u>QTY.</u>	<u>REMARKS</u>
1	13010ZE2013	RING SET, PISTON, STD.	1	
1	13011ZE2013	RING SET, PISTON, OS 0.25, OPTIONAL	1	
1	13012ZE2013	RING SET, PISTON, OS 0.50, OPTIONAL	1	
1	13013ZE2013	RING SET, PISTON, 0.75, OPTIONAL	1	
2	13101ZE2W00	PISTON, STANDARD	1	
2	13102ZE2W00	PISTON, OS 0.25, OPTIONAL	1	
2	13103ZE2W00	PISTON, OS 0.50, OPTIONAL	1	
2	13104ZE2W00	PISTON, 0.75, OPTIONAL	1	
3	13111ZE2000	PIN, PISTON	1	
4	13200ZE2000	ROD ASSY., CONNECTING STANDARD	1	INCLUDES ITEMS W/*
4	13200ZE2305	ROD ASSY., CONNECTING, US 0.25, OPT.	1	INCLUDES ITEMS W/*
5*	90001ZE8000	BOLT, CONNECTING ROD	2	
6	90551ZE1000	CLIP, PISTON PIN 18MM	2	

HONDA GX240K1QA2 ENGINE — RECOIL STARTER ASSY.

RECOIL STARTER ASSY.



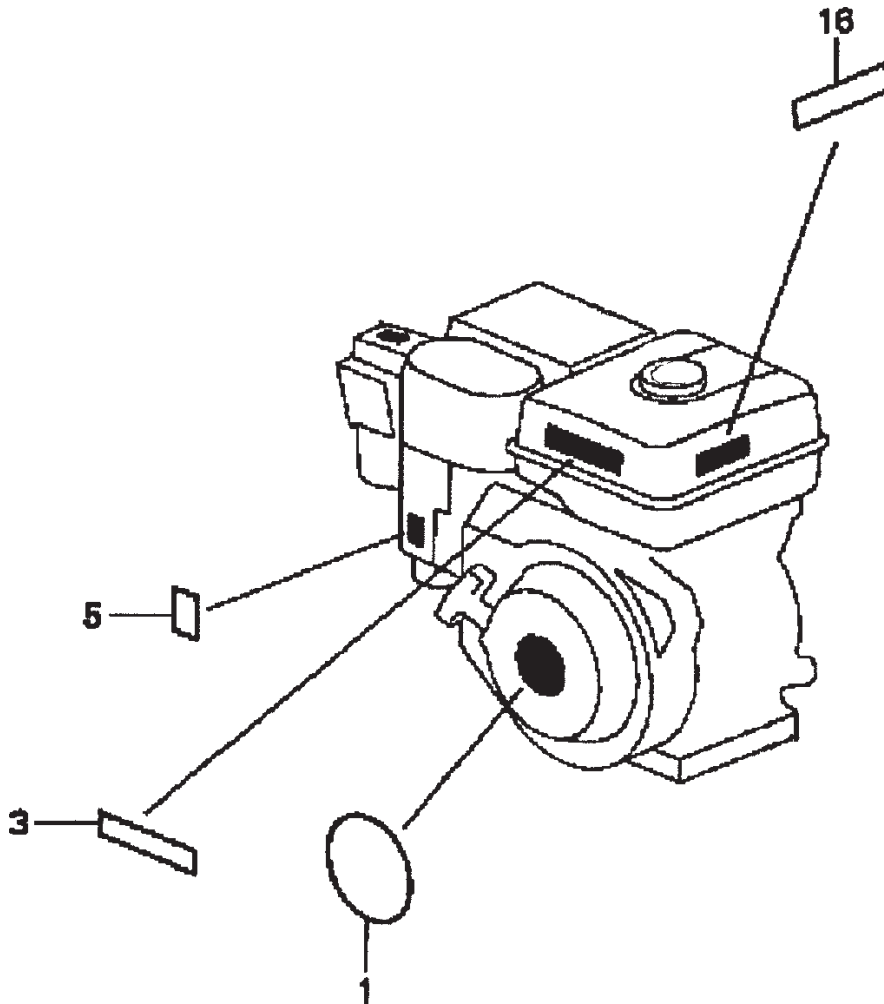
HONDA GX240K1QA2 ENGINE — RECOIL STARTER ASSY.

RECOIL STARTER ASSY.

<u>NO.</u>	<u>PART NO.</u>	<u>PART NAME</u>	<u>QTY.</u>	<u>REMARKS</u>
1	28400ZE2W01ZB	STARTER ASSY., RECOIL *NH1*, BLACK	1	INCLUDES ITEMS W/*
2*	28410ZE2W01ZB	CASE COMP., RECOIL STARTER *NH1*, BLACK	1	
3*	28421ZE2W01	PULLEY, RECOIL STARTER	1	
4*	28422ZE2W01	RATCHET, STARTER	2	
5*	28441ZE2W01	SPRING, FRICTION	1	
6*	28442ZE2W01	SPRING, STARTER RETURN	1	
7*	28443ZE2W01	SPRING RATCHET	2	
8*	28444ZE2W01	RETAINER, SPRING	1	
10*	28461ZE2W02	GRIP, STARTER	1	
11*	28462ZE2W11	ROPE, RECOIL STARTER	1	
13*	90004ZE2W01	SCREW, CENTER	1	
14	90008ZE2003	BOLT, FLANGE 6X10	3	

HONDA GX240K1QA2 ENGINE — LABELS

LABELS



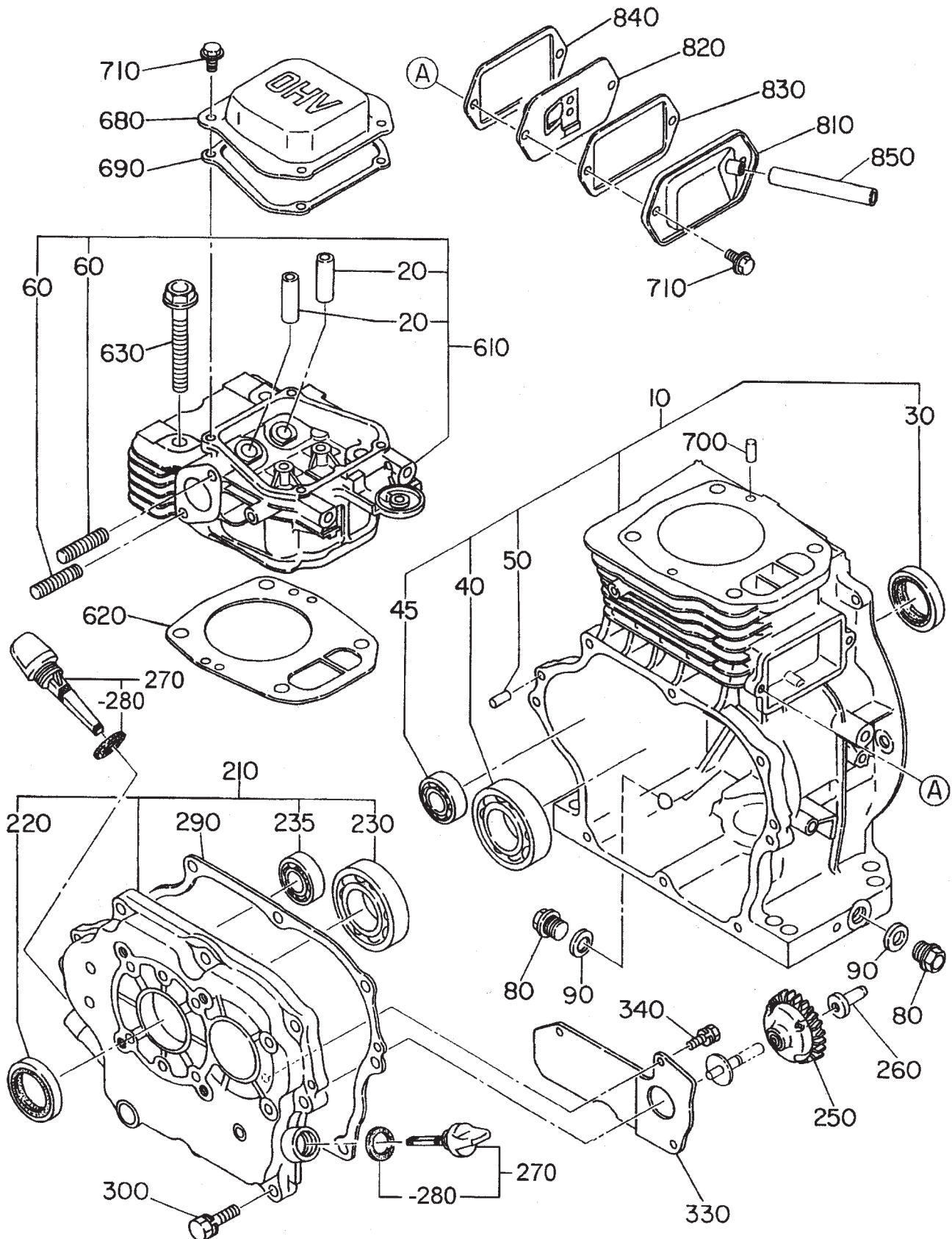
HONDA GX240K1QA2 ENGINE — LABELS

LABELS

<u>NO.</u>	<u>PART NO.</u>	<u>PART NAME</u>	<u>QTY.</u>	<u>REMARKS</u>
1	87521ZE2W01	EMBLEM, INTERNAL	1	
3	87522ZH9000	LABEL, CAUTION	1	
5	87528ZE2810	MARK, CHOKE, EXTERNAL	1	
16	87532ZH8810	MARK, OIL ALERT, E	1	

ROBIN EH25-2 ENGINE — CRANKCASE ASSY.

CRANKCASE ASSY.



ROBIN EH25-2 ENGINE — CRANKCASE ASSY.

CRANKCASE ASSY.

<u>NO.</u>	<u>PART NO.</u>	<u>PART NAME</u>	<u>QTY.</u>	<u>REMARKS</u>
10	2541010131	CRANKCASE CP	1	INCLUDES ITEMS W/*
20#	13212AA080	VALVE GUIDE	2	
30*	0440300030	OIL SEAL	1	
40*	0600300020	BALL BEARING (6206C3)	1	
45*	0600150010	BALL BEARING (6202C3)	1	
50*	0310060020	DOWEL PIN	2	
60#	0105080290	STUD	2	
80	0401140030	PLUG	2	
90	0211140020	GASKET	2	
210	2541100301	MAIN BEARING COVER CP	1	INCLUDES ITEMS W/+
220+	0440300030	OIL SEAL	1	
230+	0600300020	BALL BEARING (6206C3)	1	
235+	0600150010	BALL BEARING (6202C3)	1	
250	2344500101	GOVERNOR GEAR CP	1	
260	2054190103	GOVERNOR SLEEVE	1	
270	2276360107	OIL GAUGE ASSY.	1	INCLUDES ITEMS W/%
	2276360107	OIL GAUGE ASSY. (W/OIL SENSOR)	1	INCLUDES ITEMS W/%
280%	0213160020	GASKET	2	
290	2541600103	GASKET, BEARING COVER	1	
300	0011308300	BOLT AND WASHER ASSY.	8	
330	2541750213	OIL SHELTER (SENSOR)	1	W/OIL SENSOR
340	0043505100	SCREW AND WASHER ASSY.	3	W/OIL SENSOR
610	2701300101	CYLINDER HEAD CP	1	INCLUDES ITEMS W/#
620	2541500113	GASKET, HEAD	1	
630	0110100040	FLANGE BOLT	4	
680	2701550303	ROCKER COVER	1	
690	2701600403	GASKET, ROCKER COVER	1	
700	0310060020	DOWEL PIN	2	
710	0110060020	FLANGE BOLT	6	
810	2541430101	BREATHER COVER CP	1	
820	2541440111	BREATHER PLATE CP	1	
830	2461600603	GASKET, BREATHER COVER	1	
840	2461600713	GASKET, BREATHER PLATE	1	
850	0851080000	RUBBER PIPE	1	8 X11 X 60
	0851080000	RUBBER PIPE	1	CYCLONE TYPE 8 X 11 X 75
960	2549900107	GASKET SET	1	

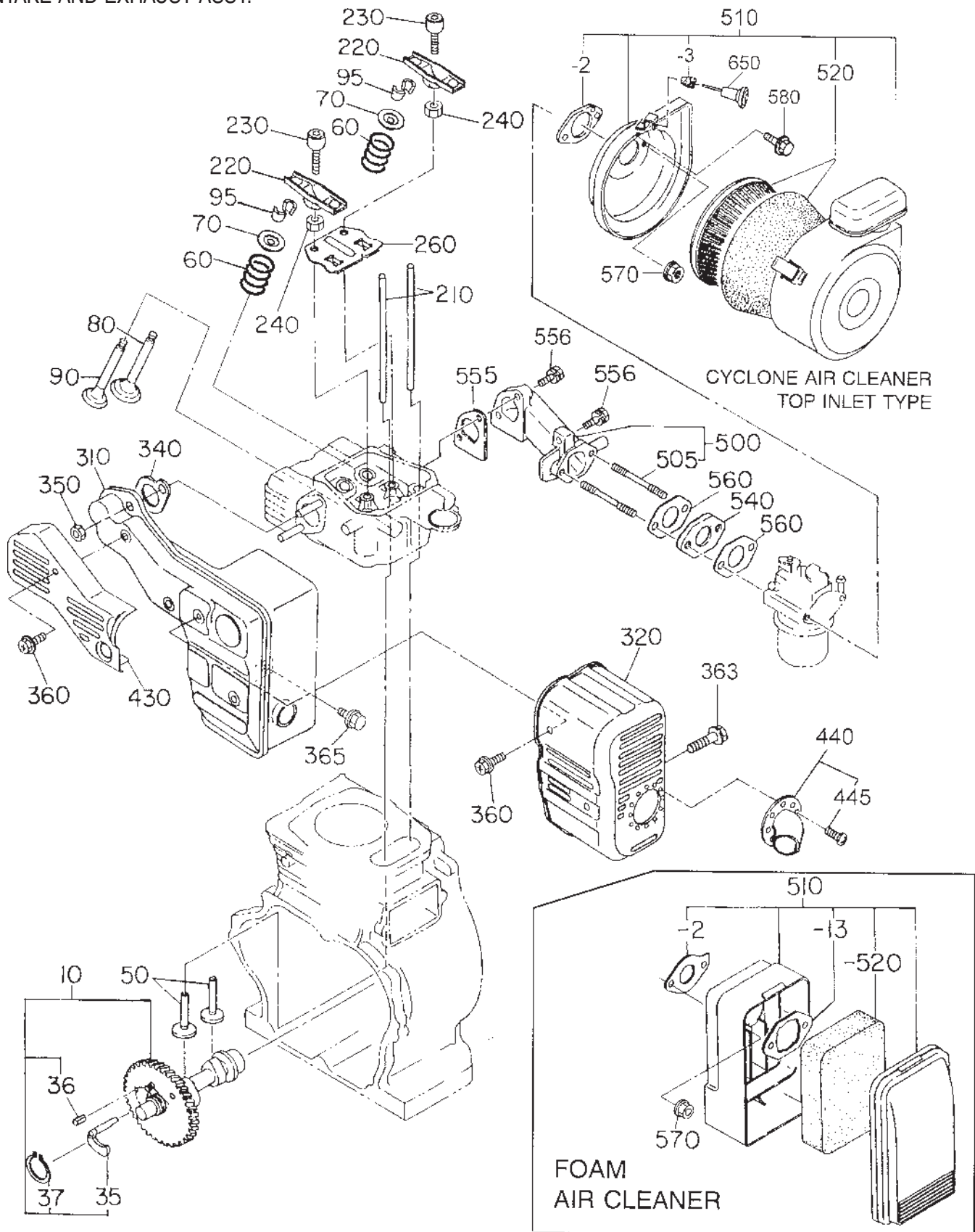
ROBIN EH25-2 ENGINE — CRANKSHAFT ASSY.

CRANKSHAFT ASSY.

<u>NO.</u>	<u>PART NO.</u>	<u>PART NAME</u>	<u>QTY.</u>	<u>REMARKS</u>
10	2542090101	CRANKSHAFT CP	1	SAE 1" KEYED SHAFT
40	0230300170	SPACER T=0.6	1	SELECT 1 SPACER ONLY
	0230300180	SPACER T=0.8	1	SELECT 1 SPACER ONLY
	0230300190	SPACER T=1.0	1	SELECT 1 SPACER ONLY
50	0021808000	NUT	1	
60	0032018000	SPRING WASHER	1	
70	0323030010	WOODRUFF KEY	1	
210	2542410103	BALANCER SHAFT	1	
310	2542250100	CONNECTING ROD ASSY.	1	INCLUDES ITEMS W/*
320*	2462300103	CONNECTING ROD BOLT	2	
350	2702330103	PISTON PIN	1	
360	2702340103	PISTON	1	STANDARD
	2702340203	PISTON	1	OVERSIZE 0.25 MM
	2702340303	PISTON	1	OVERSIZE 0.50 MM
370	2542350107	PISTON RING SET	1	STANDARD
	2542350207	PISTON RING SET	1	OVERSIZE 0.25 MM
	2542350307	PISTON RING SET	1	OVERSIZE 0.50 MM
380	0565180010	CLIP	2	

ROBIN EH25-2 ENGINE — INTAKE AND EXHAUST ASSY.

INTAKE AND EXHAUST ASSY.



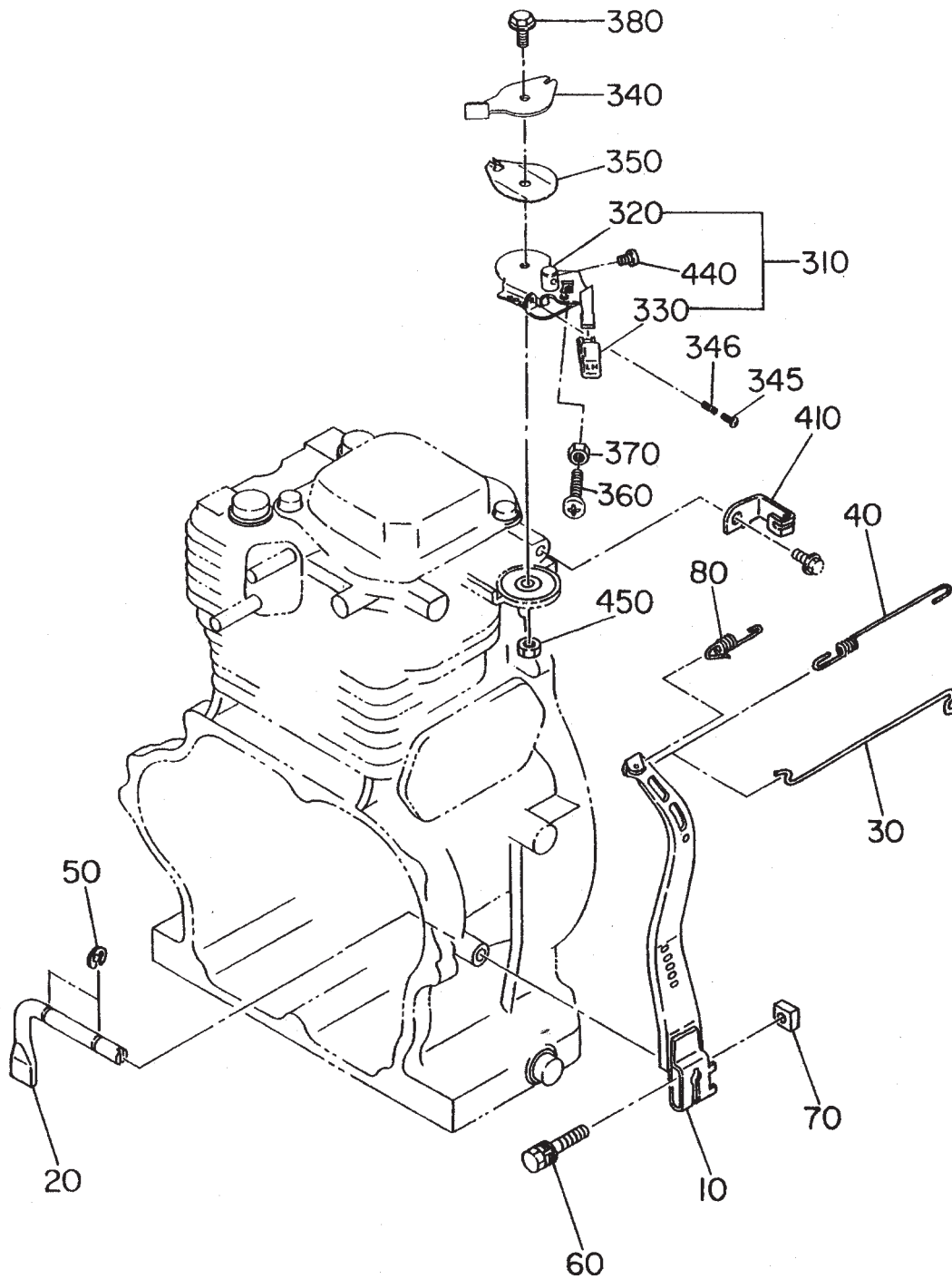
ROBIN EH25-2 ENGINE — INTAKE AND EXHAUST ASSY.

INTAKE AND EXHAUST ASSY.

<u>NO.</u>	<u>PART NO.</u>	<u>PART NAME</u>	<u>QTY.</u>	<u>REMARKS</u>
10	2543170141	CAMSHAFT CP	1	INCLUDES ITEMS W/*
35*	2543640113	RELEASE LEVER	1	
36*	0051904100	SPRING PIN	1	
37*	0031522000	SNAP RING	1	
50	2393330113	TAPPET	2	
60	2463361103	VALVE SPRING	2	
70	2463371103	SPRING RETAINER	2	
80	2703340103	INTAKE VALVE	1	
90	2703350103	EXHAUST VALVE	1	
95	2463550103	COLLET VALVE	4	
210	2703530103	PUSH ROD	2	
220	26136001A3	ROCKER ARM	2	
230	2693580103	BOLT, PIVOT	2	
240	0170060090	NUT	2	
260	2703650103	GUIDE PLATE	1	
310	2703010101	MUFFLER CP	1	
320	2543420111	MUFFLER COVER	1	
340	2463520103	GASKET, MUFFLER	1	
350	0170080030	NUT	2	
360	0152006090	TAPPING BOLT	4	
363	0152060100	TAPPING BOLT	1	
365	0011008160	BOLT AND WASHER ASSY.	1	
430	2703480103	EXHAUST PIPE COVER	1	
440	2463700107	DEFLECTOR ASSY.	1	INCLUDES ITEMS W/+
445+	0150040060	TAPPING SCREW	3	
500	2543300101	INTAKE PIPE CP	1	INCLUDES ITEMS W/%
505%	0105060191	STUD	2	
510	2543261310	AIR CLEANER ASSY.	1	CYCLONE, TOP INLET TYPE
-2	2343600308	PACKING	1	CYCLONE, TOP INLET TYPE
-3	2073269008	GROMMET	1	CYCLONE, TOP INLET TYPE
510	2703260100	AIR CLEANER ASSY.	1	FOAM AIR CLEANER TYPE
-2	2343600308	PACKING	1	FOAM AIR CLEANER TYPE
-13	2703265008	PLATE	1	FOAM AIR CLEANER TYPE
-520	2703261008	CLEANER ELEMENT	1	FOAM AIR CLEANER TYPE
520	2343260407	ELEMENT SET	1	CYCLONE TYPE
540	2343290103	INSULATOR	1	
555	2463600113	GASKET, INTAKE PIPE	1	
556	0011308280	BOLT AND WASHER ASSY.	3	
560	2343590203	GASKET 2, INSULATOR	2	
570	2263921200	NUT AND WASHER ASSY.	2	CYCLONE, TOP INLET TYPE
	0023806000	FLANGE NUT	2	FOAM AIR CLEANER TYPE
580	0011006120	BOLT AND WASHER ASSY.	2	CYCLONE, TOP INLET TYPE
650	2304390101	CHOKE KNOB	1	CYCLONE, TOP INLET TYPE

ROBIN EH25-2 ENGINE — GOVERNOR ASSY.

GOVERNOR ASSY.



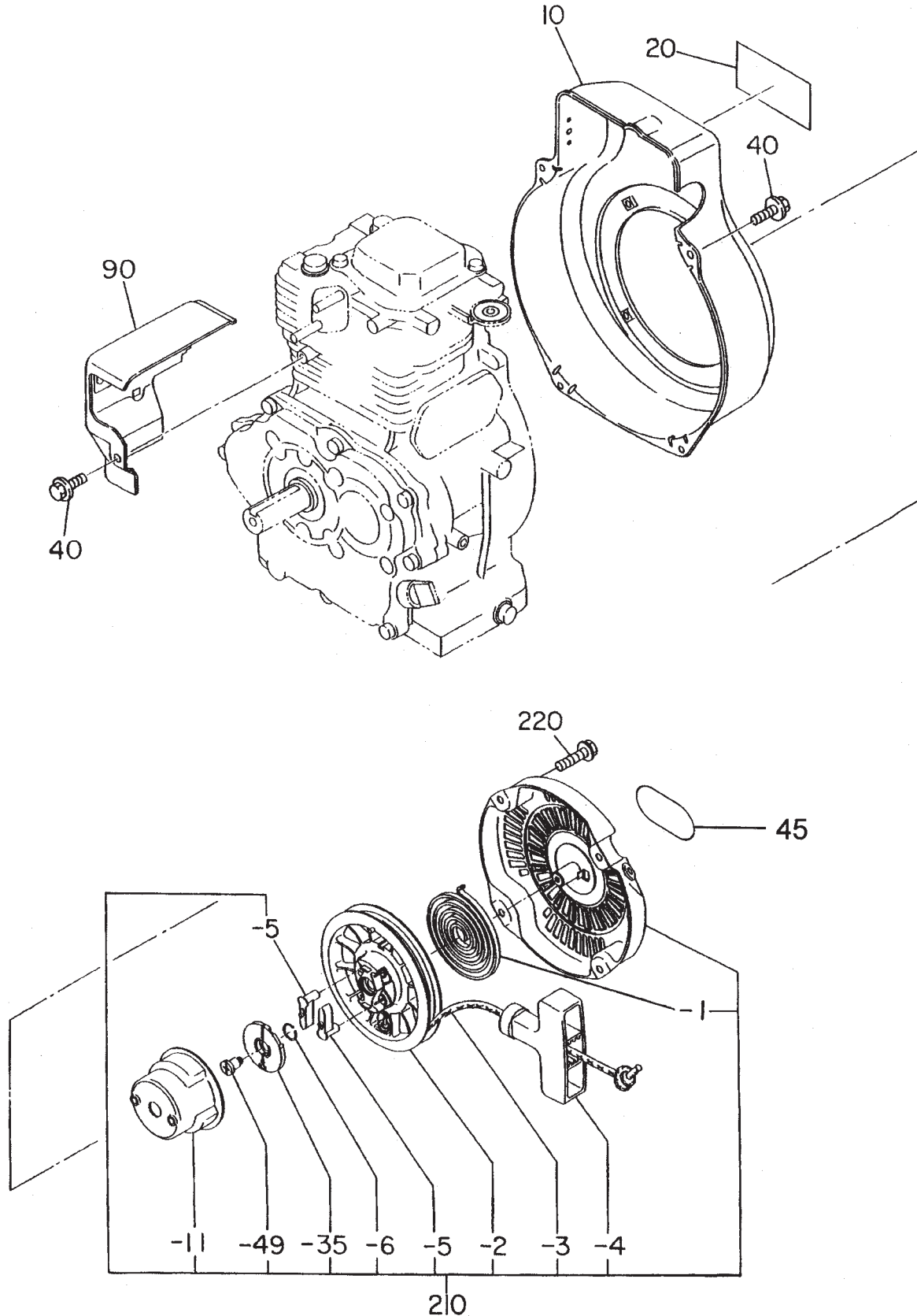
ROBIN EH25-2 ENGINE — GOVERNOR ASSY.

GOVERNOR ASSY.

<u>NO.</u>	<u>PART NO.</u>	<u>PART NAME</u>	<u>QTY.</u>	<u>REMARKS</u>
10	2544230123	GOVERNOR LEVER	1	
20	2464220123	GOVERNOR SHAFT	1	
30	2544270101	GOVERNOR ROD CP	1	
40	2544280103	ROD SPRING	1	
50	0031306000	CLIP	2	
60	0011406300	BOLT AND WASHER ASSY.	1	
70	0186060020	NUT	1	
80	2544250113	GOVERNOR SPRING	1	
310	2704330200	SPEED CONTROL ASSY.	1	INCLUDES ITEMS W/*
320*	2704330201	SPEED CONTROL CP	1	
330*	2274360103	KNOB	1	
340	2704350103	STOP PLATE	1	
345	0043104250	SCREW	1	
346	2694550303	IDLE SET SPRING	1	
350	2274500203	SPRING WASHER	1	
360	0043106300	SCREW	1	
370	0022706000	NUT	1	
380	0110060050	FLANGE-BOLT	1	
410	2544420123	WIRE BRACKET	1	
440	0043104080	SCREW	1	
450	0022706000	NUT	1	

ROBIN EH25-2 ENGINE — COOLING AND STARTING ASSY.

COOLING AND STARTING ASSY.



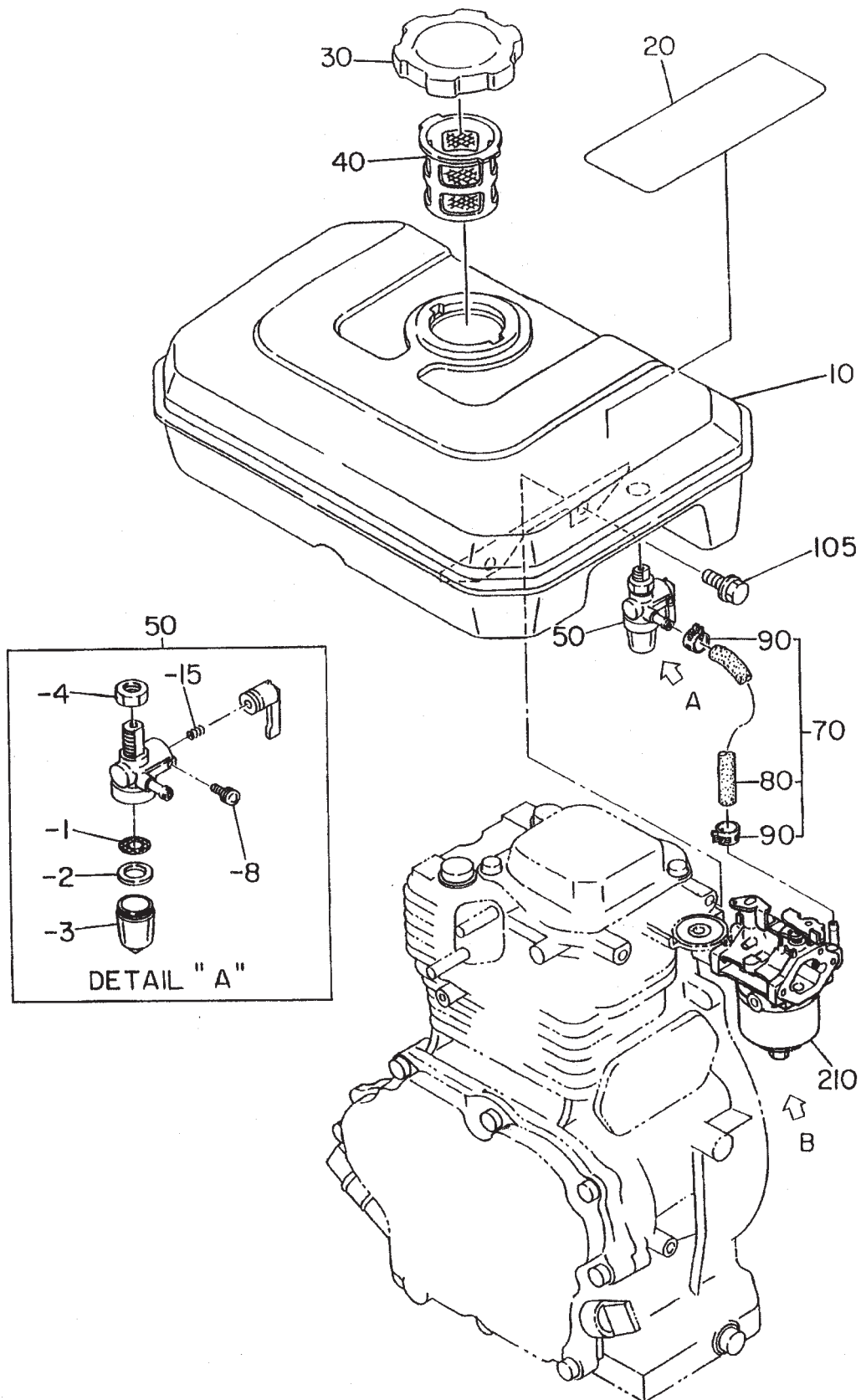
ROBIN EH25-2 ENGINE — COOLING AND STARTING ASSY.

COOLING AND STARTING ASSY.

<u>NO.</u>	<u>PART NO.</u>	<u>PART NAME</u>	<u>QTY.</u>	<u>REMARKS</u>
10	2545345001	BLOWER HOUSING CP	1	
20	2709170303	LABEL, TRADE MARK	1	
40	0110060020	FLANGE BOLT	5	
45	0732004950	LABEL, RECOIL OHV	1	
90	2545270103	HEAD COVER	1	
210	2705020100	RECOIL STARTER ASSY.	1 INCLUDES ITEMS W/*
-1*	2705011508	SPIRAL SPRING	1	
-2*	2705012008	REEL	1	
-3*	2705011008	STARTER ROPE	1	
-4*	2615010008	STARTER KNOB	1	
-5*	2705012508	RATCHET	2	
-6*	2275013108	FRICTION SPRING	1	
-11*	2705014508	STARTER PULLEY	1	
-35*	2705026108	RATCHET GUIDE	1	
-49*	2275015208	SET SCREW	1	
220	0110060010	FLANGE BOLT	4	

ROBIN EH25-2 ENGINE — FUEL TANK ASSY.

FUEL TANK ASSY.



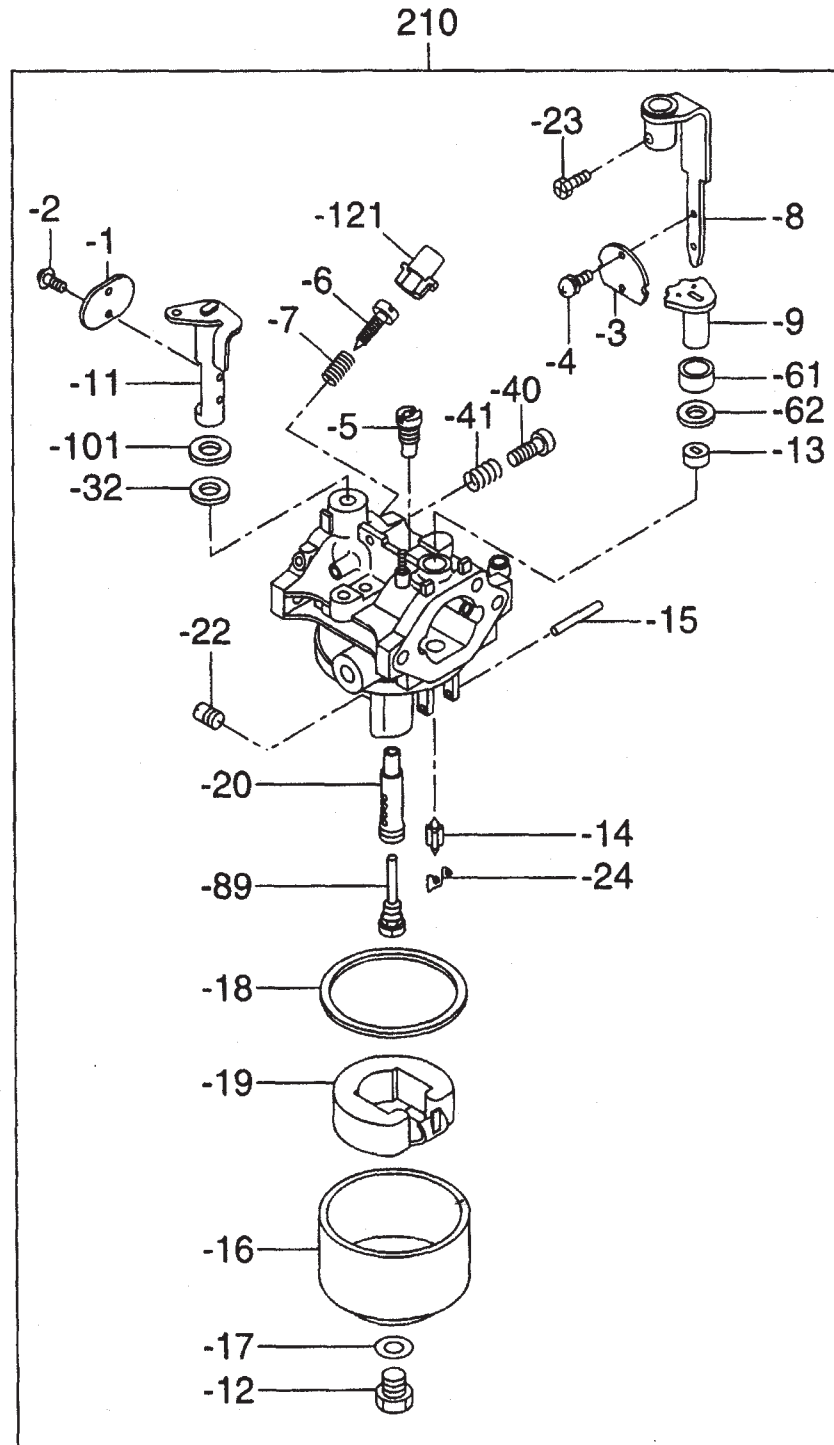
ROBIN EH25-2 ENGINE — FUEL TANK ASSY.

FUEL TANK ASSY.

<u>NO.</u>	<u>PART NO.</u>	<u>PART NAME</u>	<u>QTY.</u>	<u>REMARKS</u>
10	2546105011	FUEL TANK CP	1	
20	0732003900	LABEL, CAUTION	1	
30	0430430015	FUEL TANK CAP CP	1	
40	0641360010	FUEL FILTER CP	1	
50	0642008600	FUEL STRAINER ASSY.	1	INCLUDES ITEMS W/*
-1*	0642004110	FILTER	1	
-2*	0642001430	RUBBER PACKING	1	
-3*	0642001410	CLIP	1	
-4*	0642002360	LOCK NUT	1	
-8*	0642002790	LOCK BOLT	1	
-15*	0642003230	SPRING	1	
70	2346260101	FUEL PIPE CP	1	INCLUDES ITEMS W/%
80%	0851060000	RUBBER PIPE	1	
90%	0561110020	HOSE CLAMP	2	
105	0011308200	BOLT AND WASHER ASSY.	4	

ROBIN EH25-2 ENGINE — CARBURETOR ASSY.

CARBURETOR ASSY.



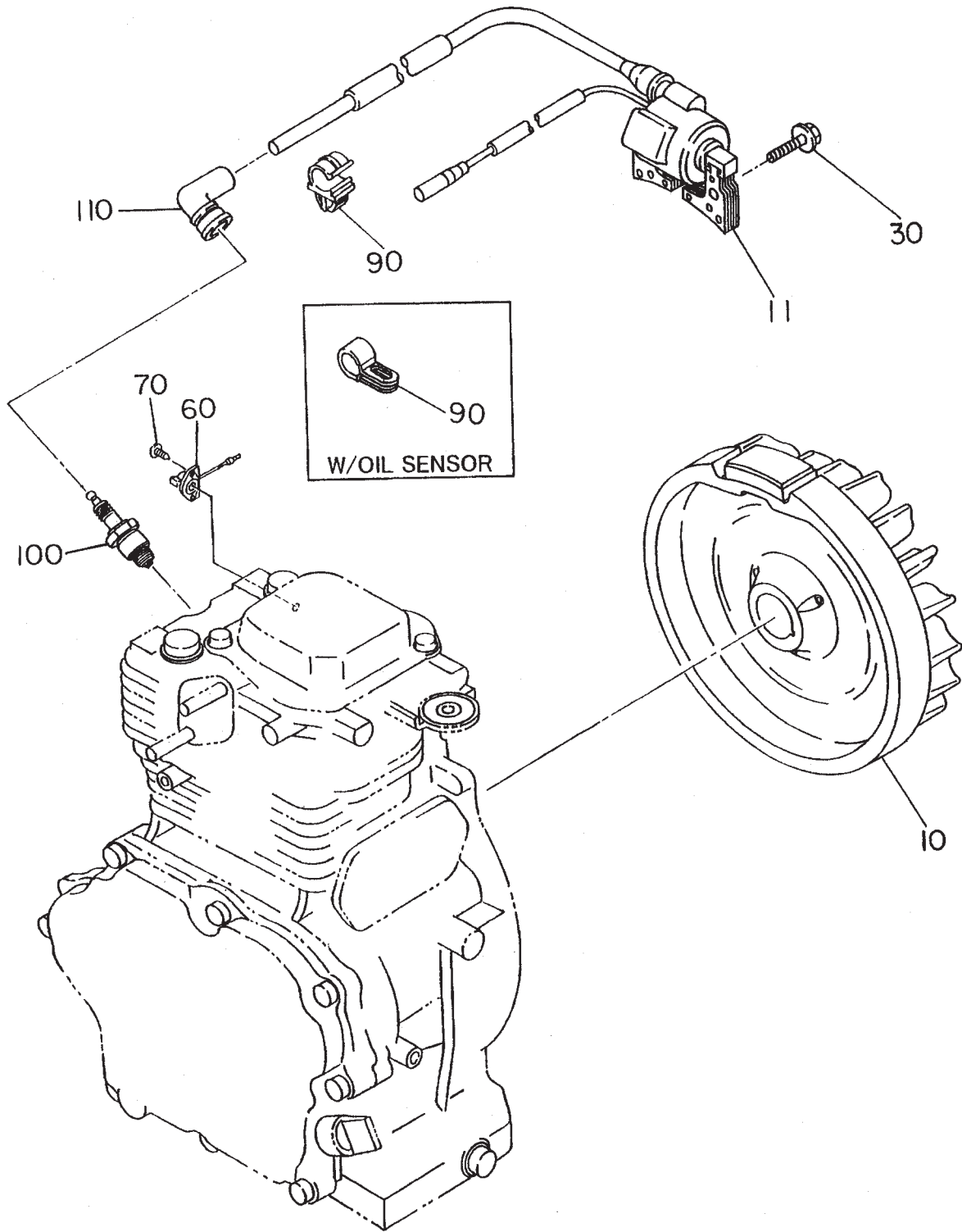
ROBIN EH25-2 ENGINE — CARBURETOR ASSY.

CARBURETOR ASSY.

<u>NO.</u>	<u>PART NO.</u>	<u>PART NAME</u>	<u>QTY.</u>	<u>REMARKS</u>
210	2546252300	CARBURETOR ASSY. CYCLONE, A/C	1	INCLUDES ITEMS W/*
	2546256010	CARBURETOR ASSY. FOAM, A/C	1	INCLUDES ITEMS W/%
-1*%	2396253508	THROTTLE VALVE	1	
-2*%	2096235108	SCREW	2	
-3*%	2546252508	VALVE, CHOKE	1	
-4*%	2376245108	SCREW, PANHEAD	2	
-5*%	2546242008	PILOT JET	1	
-6*%	2466243608	ADJUSTER	1	
-7*%	2306244808	SPRING	1	
-8*	2346252108	CHOKE LEVER ASSY.	1	CYCLONE, TOP INLET TYPE
%	2346252008	CHOKE LEVER ASSY.	1	FOAM AIR CLEANER TYPE
-9*	2396256008	RING	1	CYCLONE, TOP INLET TYPE
%	2346255008	RING	1	FOAM AIR CLEANER TYPE
-11*	2546253108	SHAFT ASSY., THROTTLE	1	CYCLONE, TOP INLET TYPE
%	2546253008	SHAFT ASSY., THROTTLE	1	FOAM AIR CLENAER TYPE
-12*%	2246254408	BOLT	1	
-13*%	2266255008	RING	1	
-14*%	2246231208	NEEDLE VALVE ASSY.	1	
-15*%	2146251508	FLOAT PIN	1	
-16*%	2246255208	FLOAT CHAMBER BODY	1	
-17*%	2076234508	INSERT WASHER	1	
-18*%	2066254008	PACKING, CHAMBER	1	
-19*%	2346250608	FLOAT ASSY.	1	
-20*%	2546244008	MAIN NOZZLE	1	
-22*	2546240308	MAIN JET	1	CYCLONE, TOP INLET TYPE
%	2546240208	MAIN JET	1	FOAM AIR CLEANER TYPE
-23*	2466245508	BOLT	1	CYCLONE, TOP INLET TYPE
-24*	2246256918	CLIP	1	CYCLONE, TOP INLET TYPE
%	2266270118	CLIP	1	FOAM AIR CLEANER TYPE
-32*	1066239208	SEAL	1	CYCLONE, TOP INLET TYPE
-40*%	2466243508	ADJUST SCREW	1	
-41*%	2306244608	SPRING	1	
-61*	2476255008	CAP	1	CYCLONE, TOP INLET TYPE
-62*	2366268008	SEAL	1	CYCLONE, TOP INLET TYPE
-89*%	2466242508	GUIDE HOLDER	1	
-101*	1566235108	PACKING	1	CYCLONE, TOP INLET TYPE
-121*	2466255108	CAP	1	

ROBIN EH25-2 ENGINE — FLYWHEEL AND IGNITION ASSY.

FLYWHEEL AND IGNITION ASSY.



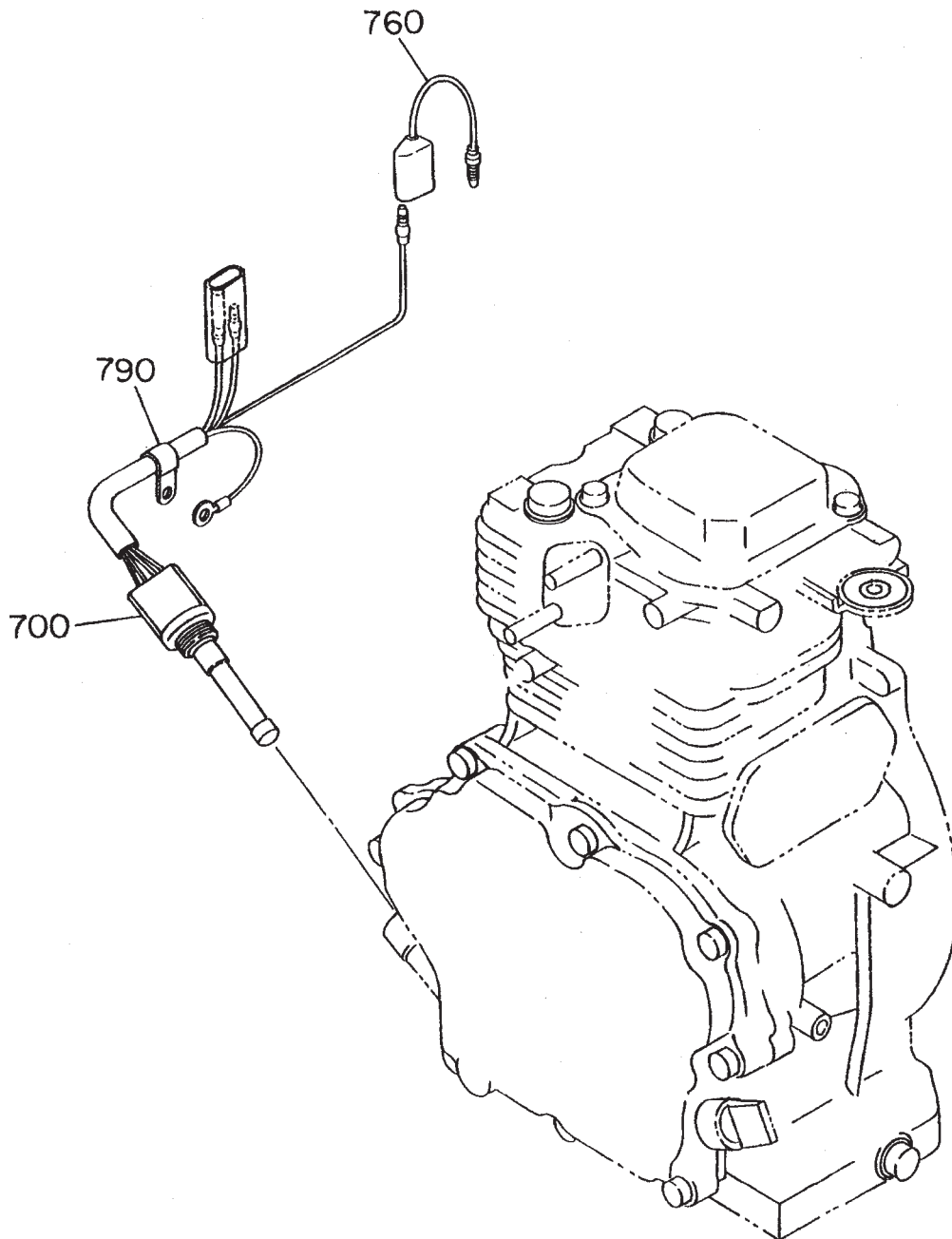
ROBIN EH25-2 ENGINE — FLYWHEEL AND IGNITION ASSY.

FLYWHEEL AND IGNITION ASSY.

<u>NO.</u>	<u>PART NO.</u>	<u>PART NAME</u>	<u>QTY.</u>	<u>REMARKS</u>
10	2347020111	FLYWHEEL CP	1	
11	2547943021	IGNITION COIL CP	1	
30	0011406250	BOLT AND WASHER ASSY.	2	
60	0660000361	SWITCH ASSY.	1	
70	0150040090	TAPPING SCREW	2	
90	0566000190	CLAMP	1	
	0566120050	CLAMP	1 W/OIL SENSOR
100	0650140031	SPARK PLUG	1 NGK B-6HS
	0650141030	SPARK PLUG	1 CHAMPION (L86C)
110	0655000051	SPARK PLUG CAP	1	

ROBIN EH25-2 ENGINE — OIL SENSOR ASSY.

OIL SENSOR ASSY.



ROBIN EH25-2 ENGINE — OIL SENSOR ASSY.

OIL SENSOR ASSY.

<u>NO.</u>	<u>PART NO.</u>	<u>PART NAME</u>	<u>QTY.</u>	<u>REMARKS</u>
700	KS31102801	OIL SENSOR CP 19	1	W/OIL SENSOR
760	2147312201	WIRE 22 CP	1	W/OIL SENSOR
790	2147900301	CLAMP CP	1	W/OIL SENSOR