

CA4HC TROWEL— DIMENSIONS

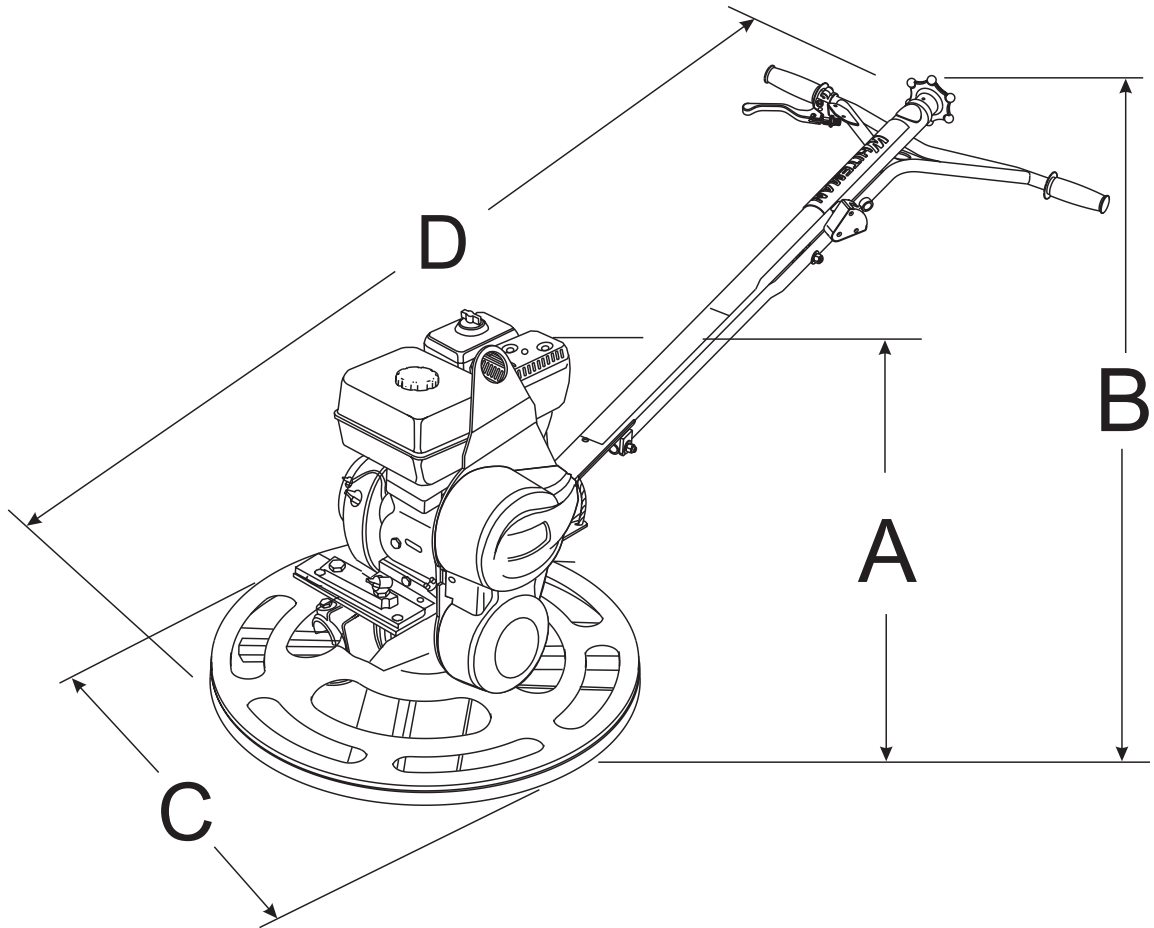


Figure 1. CA4HC Trowel Dimensions

Table 1. CA4-4HM Trowel Dimensions & Weight

A-Height (Lifting Bale)	711 mm (28.0 in.)
B - Height (Engagement Lever)	921 mm (36.25 in.)
C - Width	610 mm (24 in.)
D - Length	1.55 m (5.08 ft.)
Weight	57 kg (125 lbs.)

CA4HC TROWEL— SPECIFICATIONS

Table 2. CA4HC Trowel Specifications

Number of Blades	4
Ring Diameter	24.0 in. (61 cm.)
Rotor	70-130 RPM
Path Width	24 in. (61 cm.)
Vibration (Hand/Arm) ¹	18.9 m/s ²
Sound Pressure (A-Weighted) ²	83.5 dB(A)
Sound Pressure (Peak, C-Weighted)	90.5 dB(C)
Sound Power Level (A-Weighted)	97 dB(A)

NOTE:

1. The vibration level indicated is the maximum RMS (Root Mean Square) value obtained at the handle grip while operating the walk-behind trowel at full throttle on steel plate with blades partially pitched.
2. Sound pressure is a weighted measure. It is measured at the operator's ear position while the walk-behind trowel is operating at full throttle on concrete in a manner most often experienced in "**normal**" circumstances. Sound pressure may vary depending upon the condition of the concrete.

Table 3. Engine Specifications

	Model	HONDA GX120K1QX2
Engine	Type	4-stroke, Overhead valve, Single Cylinder
	Bore X Stroke	2.4 in. X 1.7 in. (60 mm x 42 mm)
	Displacement	7.3 cu. in. (119 cc)
	Max Output	3.9 H.P. (2.9 kW, 4.0 PS) at 3,600 R.P.M.
	Fuel Tank Capacity	Approx. 0.66 U.S. Gallons (2.5 Liters)
	Standard Idle Speed	1,400 +200/-150 R.P.M.
	Fuel	Unleaded Gasoline
	Lube Oil Capacity	0.63 U.S. Quarts (0.60 Liters)
	Speed Control Method	Centrifugal Fly-weight Type
	Starting Method	Recoil Start
Dimension (L x W x H)	11.7 x 13.4 X 12.5 in. (297 X 341 X 318 mm)	
Dry Net Weight	28.7 lbs. (13.0 Kg.)	