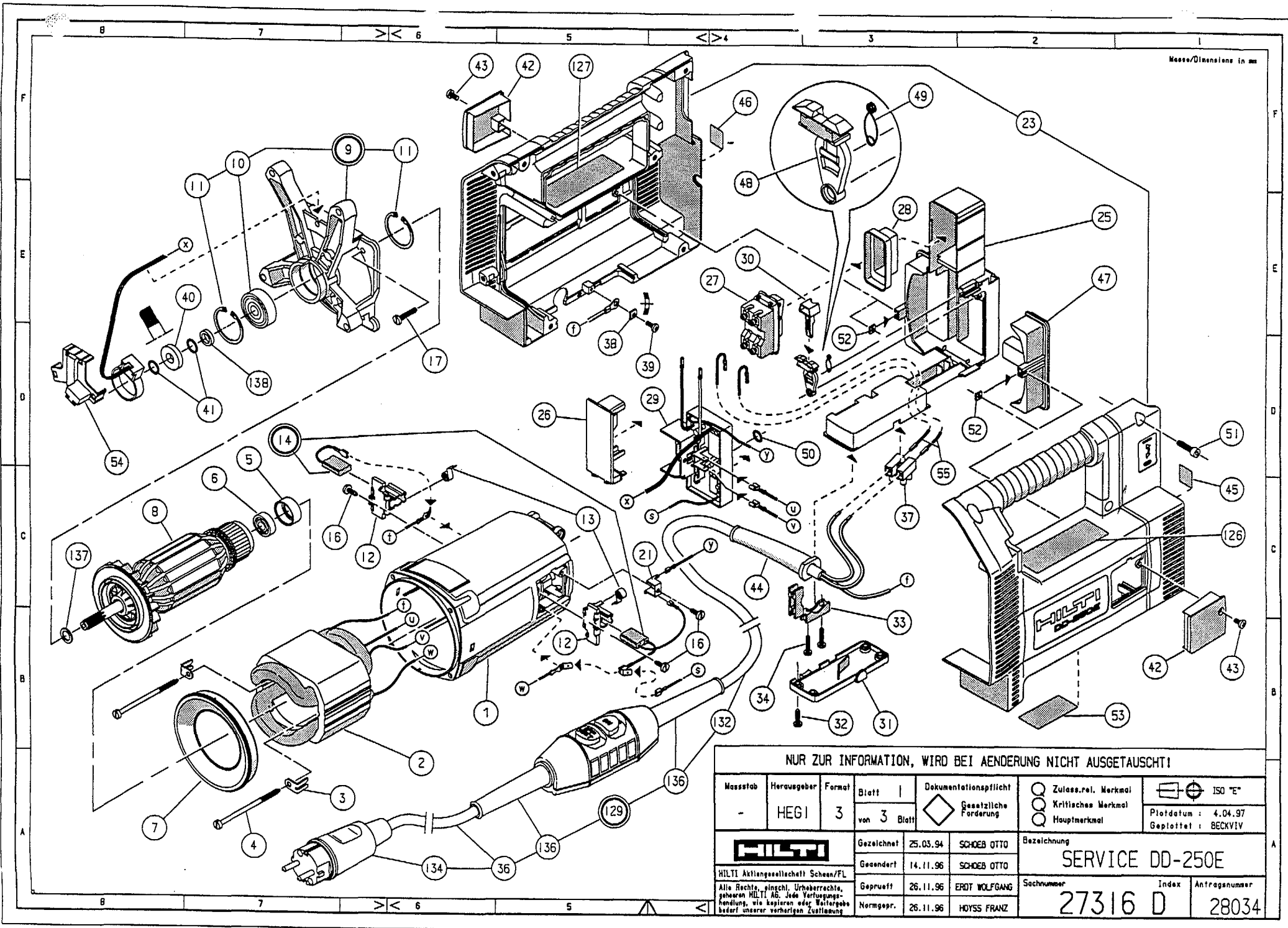


NUR ZUR INFORMATION, WIRD BEI AENDERUNG NICHT AUSGETAUSCHT!

Masstab	Herausgeber	Format	Blatt 2	Dokumentationspflicht	<input type="checkbox"/> Zulass.rel. Merkmal		ISO "E"
-	HEGI	3	von 3 Blatt	Gesetzliche Forderung	<input type="checkbox"/> Kritisches Merkmal	Plattdatum: 4.04.97	
					<input type="checkbox"/> Hauptmerkmal	Geplottet: BECKVIV	
			Gezeichnet	25.03.94	SCHÖB OTTO	Bezeichnung	
HILTI Aktiengesellschaft Schaan/FL			Geändert	14.11.96	SCHÖB OTTO	SERVICE DD-250E	
Alle Rechte, inschl. Urheberrechte, gehören HILTI AG. Jede Verfertigung, wie Kopieren oder Weitergabe bedarf unserer vorherigen Zustimmung.			Geprüft	26.11.96	ERDT WOLFGANG	Sachnummer	Index
			Normgepr.	26.11.96	HOYSS FRANZ	27316 D	Antragsnummer
							28034



Masse/Dimensionen in mm

NUR ZUR INFORMATION, WIRD BEI AENDERUNG NICHT AUSGETAUSCHT!

Masstab	Herausgeber	Format	Blatt	Dokumentationspflicht	<input type="radio"/> Zulass.rel. Merkmal <input type="radio"/> Kritische Merkmal <input type="radio"/> Hauptmerkmal	<input type="checkbox"/> ISO "E" Plottedatum : 4.04.97 Geplottet : BECKVIV
-	HEGI	3	von 3 Blatt	<input checked="" type="checkbox"/> Gesetzliche Forderung		
			Gezeichnet	25.03.94	SCHOEB OTTO	Bezeichnung
HILTI Aktiengesellschaft Scheer/FL			Gesändert	14.11.96	SCHOEB OTTO	SERVICE DD-250E
Alle Rechte, einsch. Urheberrechte, vorbehalten HILTI AG. Jede Vervielfältigung, wie Kopieren oder Weitergabe bedarf unserer vorherigen Zustimmung.			Geprüft	26.11.96	ERDT WOLFGANG	Sechsnr
			Normgepr.	26.11.96	HOYSS FRANZ	Index
						Antragsnummer
						27316 D
						28034

! P7624/02 ! COPYRIGHT RESERVED !P=KIND OF PROCUREMENT 24.04.97 - 07:47:51 !
 ! ONLY FOR INFORMATION WILL NOT BE REPLACED BY CHANGES!D-CD = DEMAND-CODE !

C-NR	QUANTITY	QU	ITEM-NR	TITLE	D-CD	P	STANDARDS OR COMMERCIAL DESIGNATION
1	1.000	PIEC	93834-0	MOTOR HOUSING	3		
2	1.000	PIEC	93836-5	STATOR 110-115V	3		
3	2.000	PIEC	93887-8	CLAMPING PIECE	6		
4	2.000	PIEC	33680-0	TAPP SCREW C4,8X78	6		
5	1.000	PIEC	93884-5	RING KOLLEKTORSEIT.	3		
6	1.000	PIEC	93862-1	BALL BEARING	3		
7	1.000	PIEC	207096-9	RING	3		
8	1.000	PIEC	208506-6	ROTOR 115V	3		
9	1.000	PIEC	208244-4	BEARING PLATE ASSY	3		
10	2.000	PIEC	208347-5	BALL BRG 6300	3		
11	4.000	PIEC	51090-9	CIRCLIP 35X1,5	6	M	DIN 472
12	2.000	PIEC	93864-7	BRUSH HOLDER	6		
13	2.000	PIEC	208235-2	SPRING	6		
14	1.000	PIEC	208226-1	CB 100V-230V ASSY.SET	3		
16	3.000	PIEC	93903-3	TAPP SCREW C 3,9X13	10		
17	4.000	PIEC	93899-3	TAPP SCREW 4,8X38	15		
21	1.000	PIEC	207150-4	TAB TERMINAL	3		
23	1.000	PIEC	207932-5	HOUSING PAAR ASSY	3		
25	1.000	PIEC	207720-4	INSULATING UNIT	3		
26	1.000	PIEC	207736-0	LID /SCHALTER	3		
27	1.000	PIEC	17904-4	SWITCH	3		
28	1.000	PIEC	207057-1	SPALL GUARD	3		
29	1.000	PIEC	207737-8	ELECTRONICS 115V ASSY	3		
30	1.000	PIEC	207739-4	LOCKBUTTON	3		
31	1.000	PIEC	207740-2	LID /NETZKABEL	3		
32	4.000	PIEC	11068-4	BIND HD SCR M3X12	20		
33	1.000	PIEC	207741-0	SUPPLY CORD CLAMP	3		

=====

! L I S T O F S P A R E P A R T S !

ITEM-NR	LIST-INDEX	SHEET 01	TITLE	DRAWING-NR	VALID FROM	RESPONS
207749	07	FROM 05	DRIVE DD-250E 110V GB	27316	16 01 1997	BE

H I L T I

JOINT-STOCK COMPANY
SCHAAN / FL

! P7624/02 ! COPYRIGHT RESERVED !P=KIND OF PROCUREMENT 24.04.97 - 07:47:51 !
 ! ONLY FOR INFORMATION WILL NOT BE REPLACED BY CHANGES!D-CD = DEMAND-CODE !

C-NR	QUANTITY	QU	ITEM-NR	TITLE	D-CD	P	STANDARDS OR COMMERCIAL DESIGNATION
34	2.000	PIEC	207960-6	SCREW 4X18	10		
37	1.000	PIEC	213329-6	T.BLOCK TYP1000/2DS	3		
38	1.000	PIEC	208015-8	HANGER CLAMPING	6		
39	1.000	PIEC	213305-6	TAPTITE SCR CM3,5X10	3		
40	1.000	PIEC	207099-3	MAGNET	3		
41	2.000	PIEC	208130-5	O-RING 9,0X1,5	3		
42	2.000	PIEC	207742-8	BRUSH CAP	6		
43	2.000	PIEC	11090-8	BIND HD SCR M4X8	6	M	DIN 7985 4.8-H-A2K
44	1.000	PIEC	207766-7	PROT SLE 12MM	3		
45	1.000	PIEC	207243-7	ADHESIVE LABEL RIGHT	3		
46	1.000	PIEC	207244-5	ADHESIVE LABEL LEFT	3		
47	1.000	PIEC	207343-5	LID /ELEKTRONIK	3		
48	1.000	PIEC	202182-2	SETTING LEVER ASSY	3		
49	1.000	PIEC	76875-4	SPRING	3		
50	1.000	PIEC	72555-6	O-RING 8X2	3		
51	7.000	PIEC	207065-4	TAPTITE SCR EM5X20	30		
52	2.000	PIEC	207356-7	SQUARE NUT M4	10		
53	1.000	PIEC	207716-2	NAMEPLATE 110V GB	3		
54	1.000	PIEC	207747-7	SAFETY COVER GEBER	3		
55	2.000	PIEC	207148-8	FLEX.CONDUCTOR	6		
56	1.000	PIEC	208243-6	GEAR HOUSING ASSY	3		
57	1.000	PIEC	207787-3	TOOL SUSPENSION	3		
58	6.000	PIEC	207471-4	HEX SKT SCR M8X20	20		
59	4.000	PIEC	207367-4	HEX NUT M8	20		
60	1.000	PIEC	207155-3	SPEED SWITCH	3		
61	1.000	PIEC	73350-1	O-RING 14X2	3	M	DIN 3770 A-NBR 70
62	1.000	PIEC	207422-7	PINION	3		

=====

! L I S T O F S P A R E P A R T S !

=====

ITEM-NR	LIST-INDEX	SHEET 02	TITLE	DRAWING-NR	VALID FROM	RESPONS	H	I	L	T	I
207749	07	FROM 05	DRIVE DD-250E 110V GB	27316	16 01 1997	BE					

JOINT-STOCK COMPANY
SCHAAN / FL

! P7624/02 ! COPYRIGHT RESERVED !P=KIND OF PROCUREMENT 24.04.97 - 07:47:51 !
! ! ONLY FOR INFORMATION WILL NOT BE REPLACED BY CHANGES!D-CD = DEMAND-CODE !

C-NR	QUANTITY	QU	ITEM-NR	TITLE	D-CD	P	STANDARDS OR COMMERCIAL DESIGNATION
63	1.000	PIEC	207926-7	CIRCLIP JV18	3		
64	1.000	PIEC	207381-5	PIN	3		
65	1.000	PIEC	207923-4	SHAFT KPL.	3		
66	1.000	PIEC	208242-8	H.ENDCAP ASSY	3		
67	1.000	PIEC	207920-0	BALL BRG 20X47X14	3		
68	2.000	PIEC	207917-6	BALL BRG 12X37X12	6		
69	1.000	PIEC	207919-2	BALL BRG 15X35X11	3		
71	1.000	PIEC	208502-5	SHAFT SEAL 15X35X7/5	3		
72	1.000	PIEC	207922-6	SEAL NBR70	3		
73	1.000	PIEC	46914-8	O-RING 12X3	3		
74	1.000	PIEC	207427-6	SETTING ROD	3		
75	1.000	PIEC	207419-3	SETTING LEVER BOSS	3		
76	1.000	PIEC	207373-2	SEGMENT	3		
77	1.000	PIEC	207375-7	FLEX.CABLE KOMPLETT	3		
78	1.000	PIEC	207382-3	HOLDER	3		
79	3.000	PIEC	207927-5	TOOTH LOCK WSHR A 5.3	9		
81	1.000	PIEC	207425-0	WASHER	3		
82	5.000	PIEC	208186-7	TORX OV.SCR. M5X14	15		
84	1.000	PIEC	207380-7	SEALING WASHER	3		
85	1.000	PIEC	207918-4	BALL BRG 20X52X15	3		
86	1.000	PIEC	207421-9	TOOTHED GEAR Z61	3		
87	1.000	PIEC	207424-3	TOOTHED GEAR Z54	3		
88	1.000	PIEC	207423-5	TOOTHED GEAR Z41	3		
89	1.000	PIEC	207374-0	RING	3		
90	1.000	PIEC	207420-1	TOOTHED GEAR Z29	3		
91	1.000	PIEC	207383-1	WASHER	3		
92	1.000	PIEC	51320-0	CIRCLIP 24X1,2	3	M	DIN 471 A2A

=====

L I S T O F S P A R E P A R T S				H I L T I			
* ITEM-NR	* LIST-INDEX	* SHEET	* 03	* TITLE	* DRAWING-NR	* VALID FROM	* RESPONS
* 207749	* 07	* FROM	* 05	* DRIVE DD-250E 110V GB	* 27316	* 16 01 1997	* BE

JOINT-STOCK COMPANY
SCHAAN / FL

! P7624/02 ! COPYRIGHT RESERVED !P=KIND OF PROCUREMENT 24.04.97 - 07:47:51 !
 ! ! ONLY FOR INFORMATION WILL NOT BE REPLACED BY CHANGES!D-CD = DEMAND-CODE !

C-NR	QUANTITY	QU	ITEM-NR	TITLE	D-CD	P	STANDARDS OR COMMERCIAL DESIGNATION
93	2.000	PIEC	71465-9	CIRCLIP 15X1	6	M	DIN 471
94	1.000	PIEC	207388-0	PINION	3		
95	1.000	PIEC	207246-0	CLUTCH ASSY	3		
96	1.000	PIEC	207928-3	FEATHER KEY A 5X5X36	3		
97	1.000	PIEC	207921-8	SHAFT KPL.	3		
99	1.000	PIEC	207474-8	CIRCLIP 30X2	3		
100	1.000	PIEC	51157-6	SHAFT SEAL AS30X62X7	3	M	DIN 3760 NBR
101	1.000	PIEC	51160-0	WASHER S30X42	3	M	DIN 988
102	1.000	PIEC	207522-4	CIRCLIP 62X3	3		
103	1.000	PIEC	51161-8	WASHER S50X62	3	M	DIN 988
104	1.000	PIEC	51139-4	BALL BRG 4206	3	M	DIN 625 2
105	4.000	PIEC	74581-0	HEX SKT SCR M6X55	20	M	DIN 912 8.8
106	1.000	PIEC	207941-6	PIN 4X16	3		
107	1.000	PIEC	207930-9	NEEDLE RACE 8X12X10	3		
108	1.000	PIEC	207387-2	LID	3		
109	4.000	PIEC	8604-1	HEX NUT M5	20	M	DIN 934 8-A2A
110	4.000	PIEC	213852-7	HEX SKT SCR M5X12	20		
111	1.000	PIEC	207772-5	COVER RIGHT	3		
112	1.000	PIEC	207771-7	COVER LEFT	3		
113	2.000	PIEC	207376-5	SHAFT SEAL AS40X55X7	6		
114	2.000	PIEC	207377-3	CIRCLIP	6		
116	1.000	PIEC	207499-5	O-RING 30X2,5	3		
118	1.000	PIEC	207519-0	O-RING 29X2,5	3		
119	1.000	PIEC	207360-9	BUSHING	3		
120	1.000	PIEC	47180-5	HOSE 13/19X230	3		
121	1.000	PIEC	46905-6	B. COCK R1/4''	3		
122	1.000	PIEC	51510-6	CONNECTOR	3		

=====

! L I S T O F S P A R E P A R T S !

* !	* !	* !	* !	* !	* !	* !	* !	* !	* !
* ITEM-NR	! LIST-INDEX	! SHEET 04	! TITLE	* DRAWING-NR	! VALID FROM	! RESPONS	!	!	!
* 207749	! 07	! FROM 05	! DRIVE DD-250E 110V GB	* 27316	! 16 01 1997	! BE	!	!	!

H I L T I

JOINT-STOCK COMPANY
SCHAAN / FL

! P7624/02 ! COPYRIGHT RESERVED !P=KIND OF PROCUREMENT 24.04.97 - 07:47:51 !
 ! ONLY FOR INFORMATION WILL NOT BE REPLACED BY CHANGES!D-CD = DEMAND-CODE !

C-NR	QUANTITY	QU	ITEM-NR	TITLE	D-CD	P	STANDARDS OR COMMERCIAL DESIGNATION
123	1.000	PIEC	50849-9	O-RING 11X2,5	3	M	DIN 3770 A-NBR-70
124	1.000	PIEC	46833-0	WATER CONNECT. ASSY	3		
125	1.000	PIEC	207942-4	ADHESIVE LABEL	3		
127	1.000	PIEC	208187-5	ADH.LABEL WASSERFANG	3		
128	1.000	PIEC	51321-8	CIRCLIP 30X1,5	3		
129	1.000	PIEC	207728-7	SUPPLY CORD 110V GB	3		
131	2.000	PIEC	207369-0	NUT M8-R-123-47			
133	1.000	PIEC	208241-0	WATER SWIVEL ASSY			
134	1.000	PIEC	44346-5	ELECTRIC PLUG GB			
135	1.000	PIEC	51279-8	HOSE COUPLING			
137	1.000	PIEC	207111-6	WASHER			
138	1.000	PIEC	208348-3	RING			

=====

L I S T O F S P A R E P A R T S						H I L T I				
* ITEM-NR	!	!	!	!	!	* DRAWING-NR	!	!	!	!
* 207749	!	07	!	FROM 05!	DRIVE DD-250E 110V GB	* 27316	!	16 01	1997!	BE
*****						JOINT-STOCK COMPANY SCHAAN / FL				
