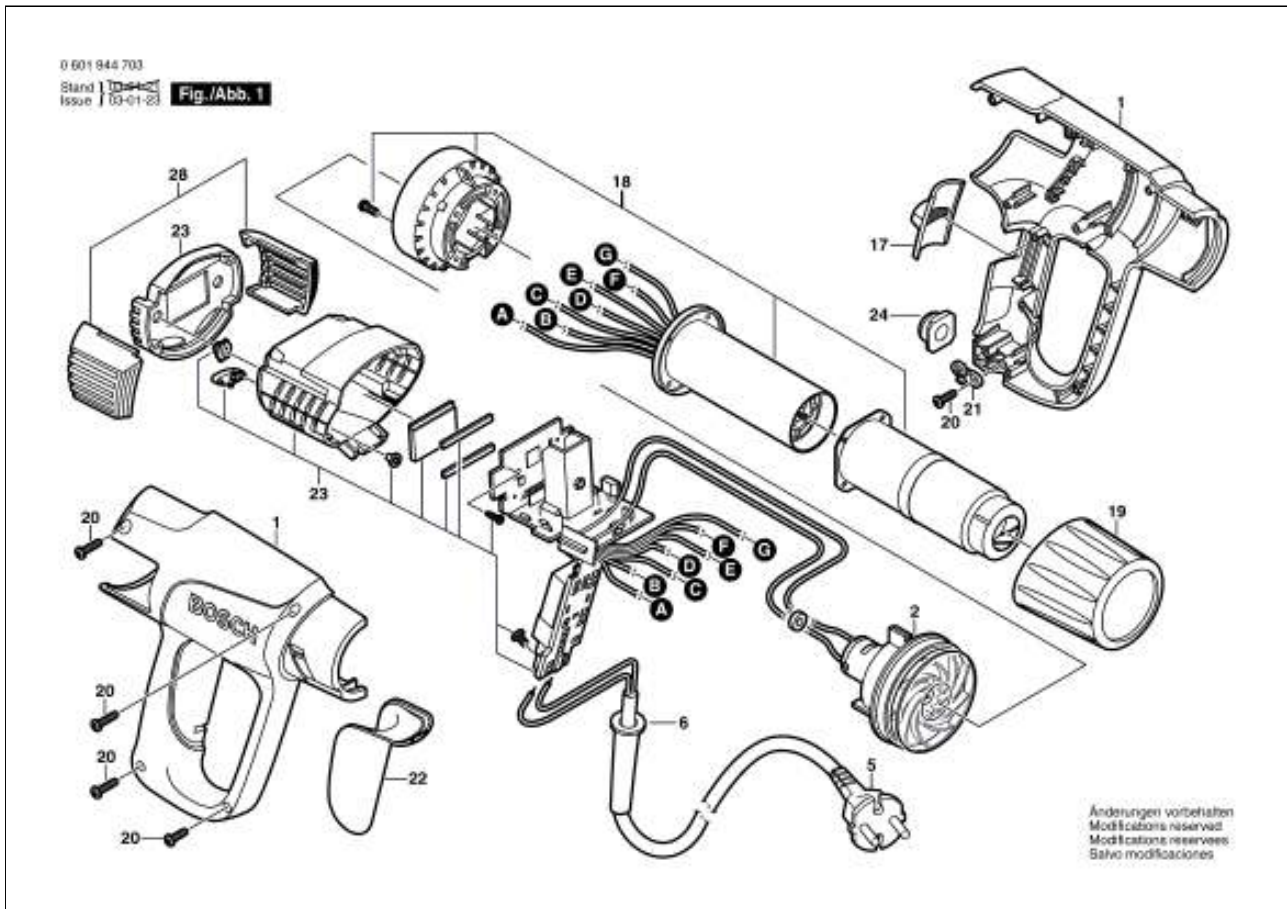


HOT AIR GUN
0 601 944 741 GHG 660 LCD



Item	Quantity	Order No.	Designation	Price group	Page
1	1	1 609 203 M76	HOUSING SECTION	0	1
2	1	1 609 202 617	DC MOTOR / 115-240V	0	1
5	1	1 609 202 755	POWER SUPPLY CORD	0	1
6	1	1 609 202 606	GROMMET	0	1
17	1	1 609 203 H72	SWITCH BUTTON	0	1
18	1	1 609 203 M52	HEATING ELEMENT / 240V	0	1
19	1	1 609 203 H61	PROTECTIVE TUBE	0	1
20	7	2 910 615 407	SELF-TAPPING SCREW / DIN 7981-ST2,9x16-F-H	0	1
21	1	1 609 203 102	FASTENING CLAMP	0	1
22	1	1 609 203 H62	CAP-HANDLE	0	1
23	1	1 609 203 L52	CONNECTING BLOCK / 100-240V	0	1
24	1	1 609 203 H65	RUBBER BASE	0	1
28	1	1 609 203 H78	FILTER ELEMENT	0	1