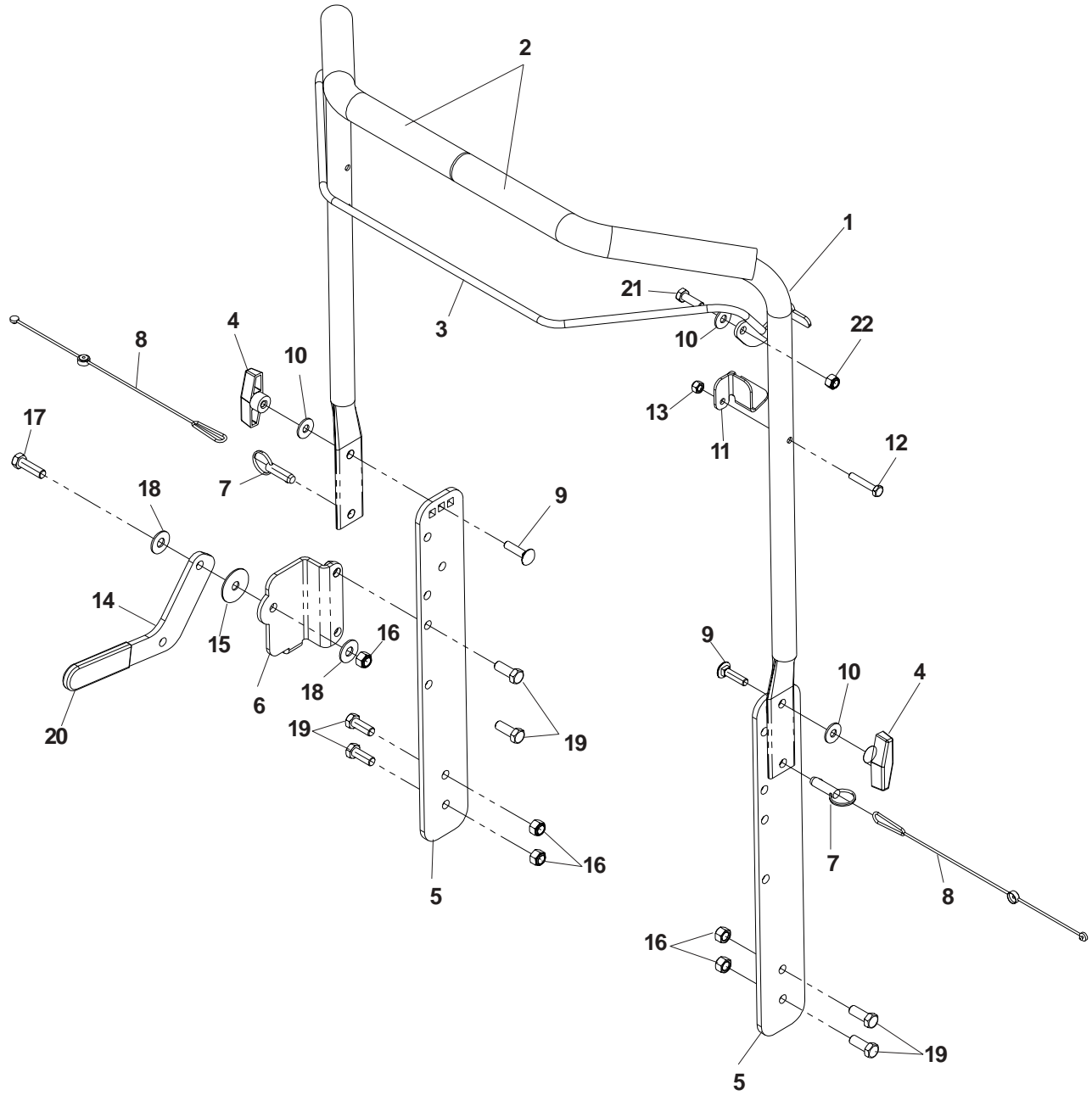


# DT 22

**Spare parts**  
**Ersatzteile**  
**Pièces détachées**  
**Reserve onderdelen**  
**Repuestos**  
**Reservdelar**

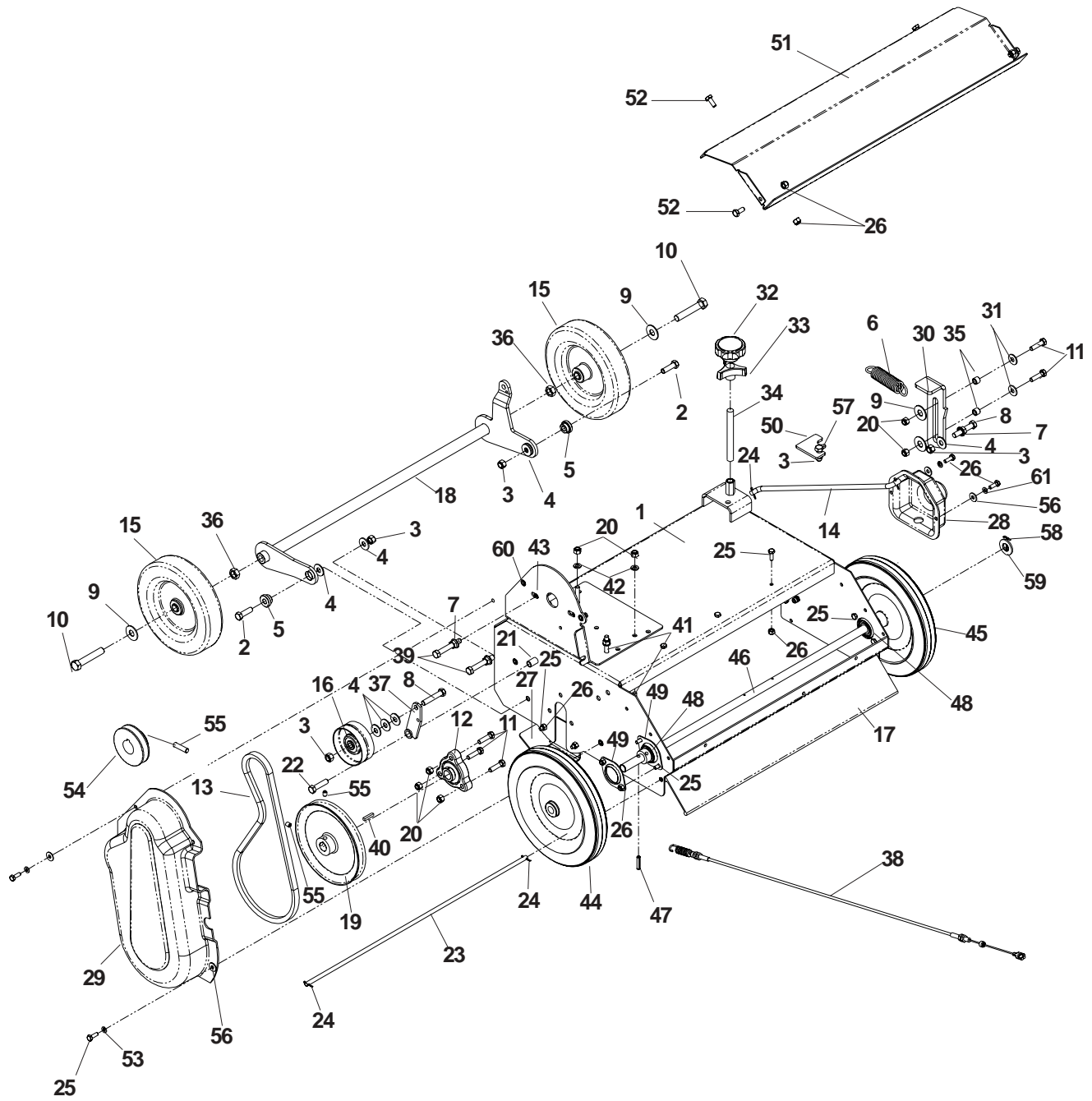
# HANDLE ASSEMBLY



# HANDLE ASSEMBLY

ITEM	PART NO.	QTY.	DESCRIPTION
1	539106758	1	HANDLE, GRAY
2	539052561	2	FOAM GRIP
3	539106760	1	BAIL
4	539100481	2	KNOB
5	539106755	2	HANDLE SIDE, GRAY
6	539106654	1	MOUNT, GRAY
7	539100556	2	PIN
8	539106848	2	LANYARD
9	539100472	2	RHSNB 5/16C X 1 1/4
10	539990692	3	WASHER, 5/16, FLAT
11	539106688	1	CABLE TAB
12	539990639	1	HCS 1/4C X 1 1/2
13	539976978	1	NUT, 1/4C, NYLOC
14	539106645	1	LEVER
15	539102998	1	WASHER, FRICTION
16	539976979	7	NUT, 3/8C, NYLOC
17	539976941	1	HCS 3/8C X 1 1/4
18	539990517	2	WASHER, 3/8, FLAT
19	539990563	6	HCS 3/8C X 1
20	539976526	1	ADJ. LEVER GRIP
21	539990209	1	HCS 5/16C X 1
22	539990717	1	NUT, 5/16C, NYLOC

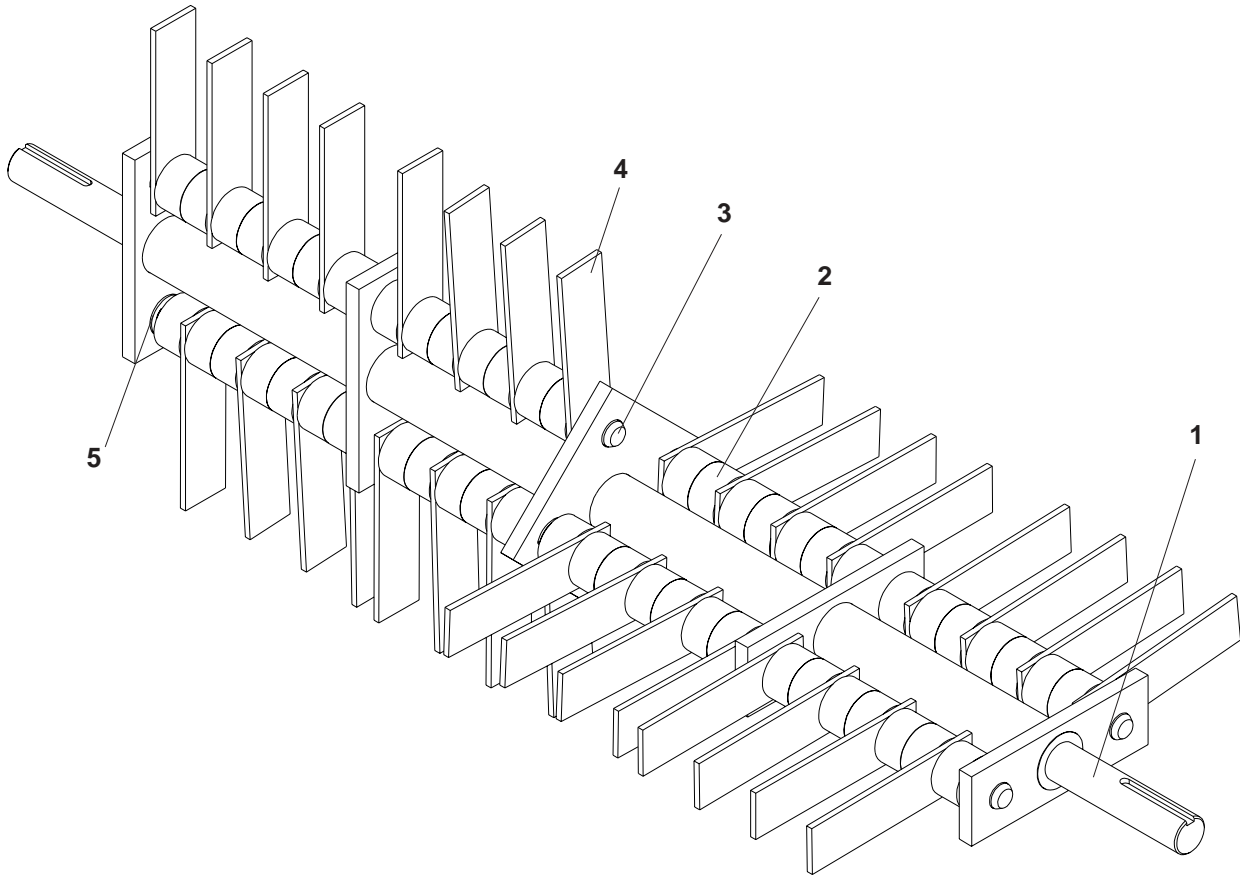
# BODY ASSEMBLY



# BODY ASSEMBLY

ITEM	PART NO.	QTY.	DESCRIPTION	ITEM	PART NO.	QTY.	DESCRIPTION
1 ..	539107354	.....1	BODY W/ DECALS	33 ..	539030485	.....1	KNOB
2 ..	539976941	.....2	HCS 3/8C X 1 1/4	34 ..	539052761	.....1	ROD, THREADED
3 ..	539976979	.....6	NUT, 3/8C, NYLOC	35 ..	539102827	.....2	SPACER, PULLEY
4 ..	539990517	.....8	WASHER, 3/8, FLAT	36 ..	539990625	.....2	NUT, 1/2 HEX, JAM
5 ..	539106847	.....2	BUSHING	37 ..	539108067	.....1	IDLER ARM
6 ..	539106850	.....1	SPRING	38 ..	539106849	.....1	CABLE
7 ..	539880613	.....5	NUT, 3/8C	39 ..	539990637	.....2	HCS 3/8C X 2 1/2
8 ..	539990588	.....2	HCS 3/8C X 2	40 ..	539005226	.....1	KEY, 3/16 X 3/16 X 1
9 ..	539990550	.....4	WASHER, 1/2, FLAT	41 ..	539990669	.....4	HCS 5/16C X 1 3/4
10 ..	539101332	.....2	HCS 1/2C X 2 3/4	42 ..	539990187	.....4	LOCKWASHER, 5/16
11 ..	539990627	.....8	HCS 5/16C X 1 1/4	43 ..	539106772	.....1	BACKING PLATE
12 ..	539100488	.....2	C.I. FLANGE	44 ..	540000058	.....1	WHEEL, 10 X 1 3/4, ..... DRILLED
13 ..	539100439	.....1	BELT	45 ..	540053401	.....1	WHEEL, 10 X 1 3/4, ..... W/BUSHINGS
14 ..	539106805	.....1	LINKAGE	46 ..	539106663	.....1	AXLE, REAR
15 ..	540075051	.....2	WHEEL, 8 X 1 3/4	47 ..	539000364	.....1	ROLL PIN, 1/4 X 1 1/8
16 ..	539000342	.....1	IDLER PULLEY, FLAT	48 ..	539000319	.....2	BEARING, 5/8" ..... W/COLLAR
17 ..	539106643	.....1	REAR FLAP	49 ..	539000321	.....4	FLANGE, FOR ..... BEARING 5/8"
18 ..	539106759	.....1	FRONT AXLE	50 ..	539108022	.....1	SHIM, DEPTH
19 ..	539100511	.....1	PULLEY	51 ..	539106757	.....1	REAR COVER
20 ..	539990717	.....12	NUT, 5/16, NYLOC	52 ..	539990072	.....4	HCS 1/4C X 5/8
21 ..	539100482	.....1	BUSHING	53 ..	539990052	.....6	LOCKWASHER, 1/4
22 ..	539990655	.....1	HCS 3/8C X 1 1/2	54 ..	539100516	.....1	PULLEY, ENGINE
23 ..	539106672	.....1	FLAP ROD	55 ..	539976956	.....3	SETSCREW, ..... 5/16C X 3/8
24 ..	539990037	.....4	COTTER PIN, ..... 3/32 x 3/4	56 ..	539990598	.....6	FLATWASHER, 1/4
25 ..	539990580	.....15	HCS 1/4C X 3/4	57 ..	539990563	.....1	HCS 3/8C X 1
26 ..	539976978	.....9	NUT, 1/4C, NYLOC	58 ..	539990297	.....1	COTTER PIN, ..... 1/8 X 1 1/2
27 ..	539108037	.....1	PLATE, SKID	59 ..	539000436	.....1	WASHER, 5/8, SAE, FLAT
28 ..	539106754	.....1	SHAFT GUARD	60 ..	539108147	.....6	KNURLED INSERT ..... 1/4-20
29 ..	539108070	.....1	BELT GUARD (CE)				
30 ..	539106816	.....1	SLIDER				
31 ..	539990692	.....2	WASHER, 5/16, FLAT				
32 ..	539000035	.....1	KNOB				

# FLAIL REEL ASSEMBLY

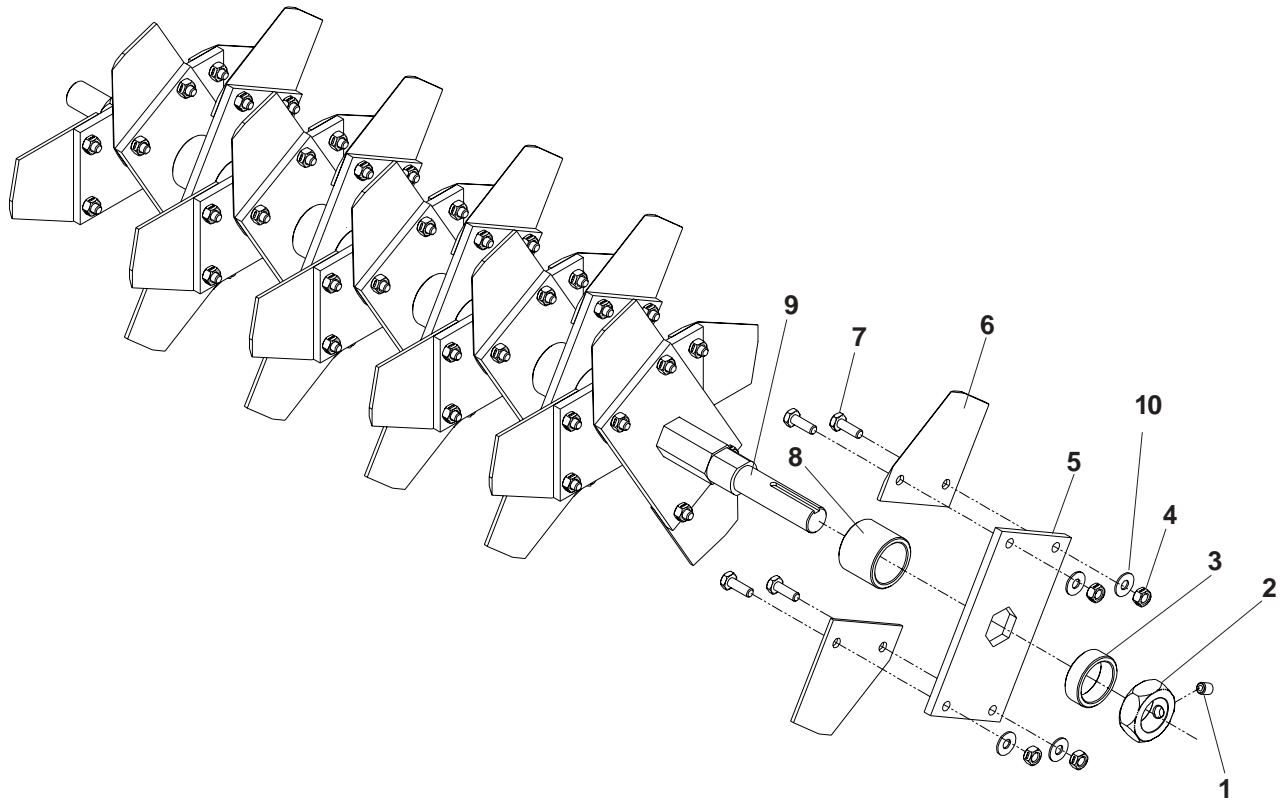


ITEM	PART NO.	QTY.	DESCRIPTION
.....	539107183	..... 1	..... 22" FLAIL REEL (COMPLETE)
1	539106641	..... 1	..... SHAFT
2	539100526	..... 56	..... SPACER
3	539106642	..... 4	..... BLADE SHAFT
4	540005187	..... 32	..... BLADE
5	539101949	..... 8	..... E-RING 1/2
.....	539108110	..... 1	..... BLADE SET (32 BLADES)
.....	539108111	..... 1	..... SHAFT & HARDWARE SET(4 SHAFTS)
.....	539108112	..... 1	..... BLADES W/SHAFTS & HARDWARE SET (32 BLADES)
.....	539108113	..... 1	..... SPACER SET (56 SPACERS)

**NOTE:**

1. MUST BE ASSEMBLED WITH PATTERN AS SHOWN.
2. NO DAMAGE TO ENDS OF SHAFT OR KEYWAY.

# DELTA REEL ASSEMBLY

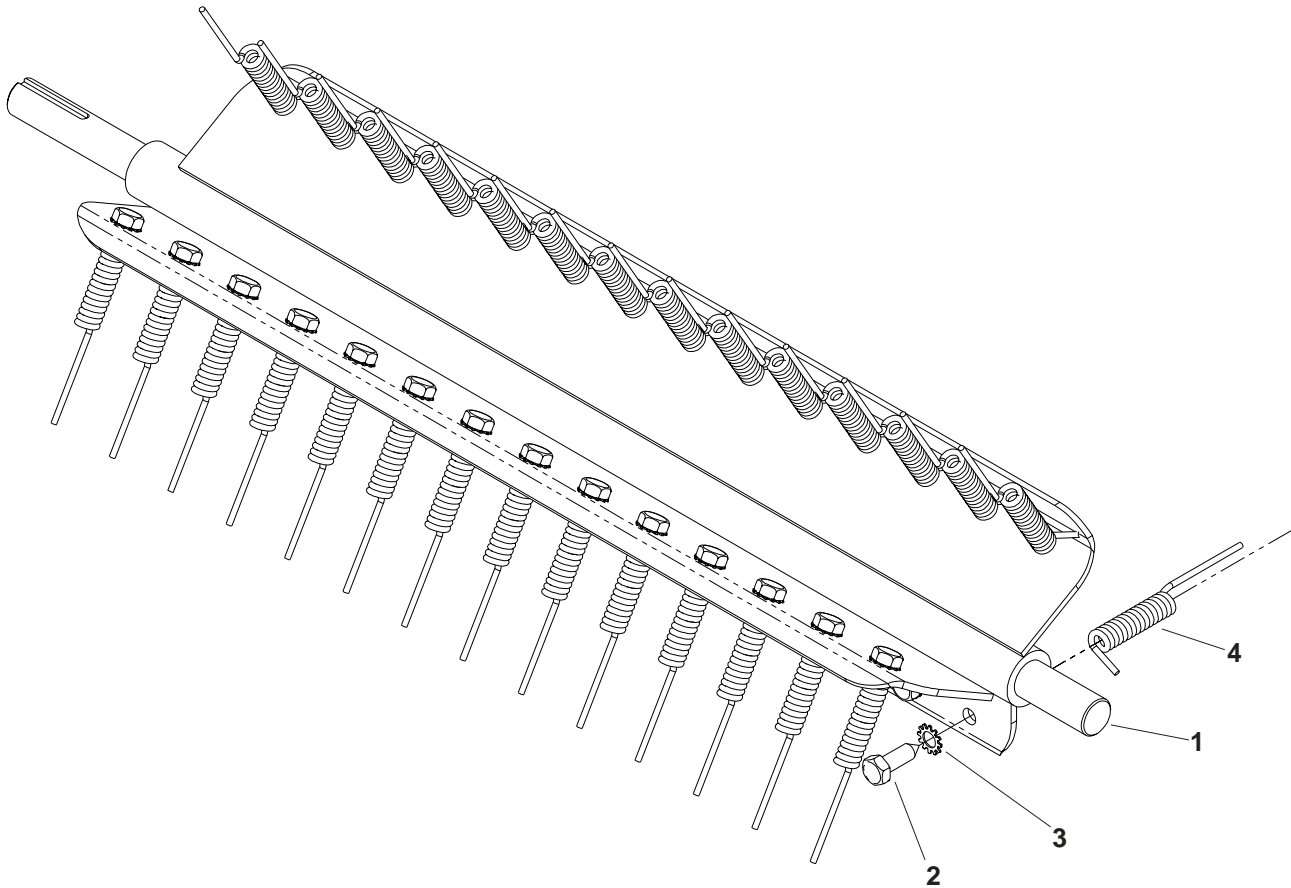


ITEM	PART NO.	QTY.	DESCRIPTION
.....	539107184	..... 1	..... 22" DELTA REEL (COMPLETE)
1	539976956	..... 2	..... SETSCREW
2	539100530	..... 2	..... JAM NUT W/SETSCREW
3	539106653	..... 2	..... END SPACER
4	539992761	..... 60	..... NUT .25 CTR. LOCK
5	539106651	..... 15	..... BLADE MTG. PLATE
6	540005966	..... 30	..... DELTABLADE
7	539108056	..... 60	..... HCS .25 X .75 (GRADE 8)
8	539106652	..... 14	..... SPACER - LONG
9	539106650	..... 1	..... SHAFT
10	539000407	..... 60	..... LOCKWASHER, 1/4, INTERNAL TOOTH
.....	539108116	..... 1	..... BLADE W/HARDWARE SET (30 BLADES)
.....	539108117	..... 1	..... SCREW & NUT SET (60 EACH)

**NOTE:**

1. MUST BE ASSEMBLED AS SHOWN. WITH KEYWAY ON CORRECT END.
2. NO DAMAGE TO ENDS OF SHAFT, KEYWAY OR TO THREADS.

# SPRING REEL ASSEMBLY



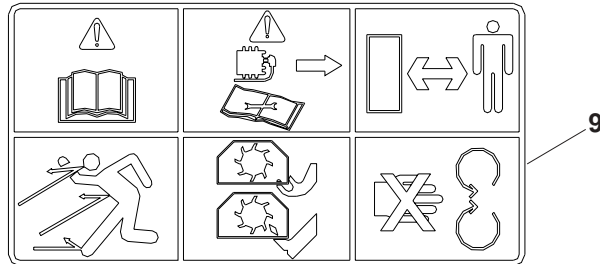
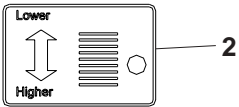
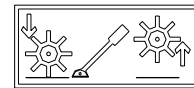
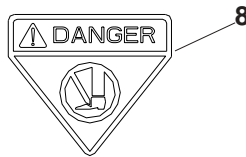
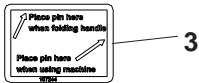
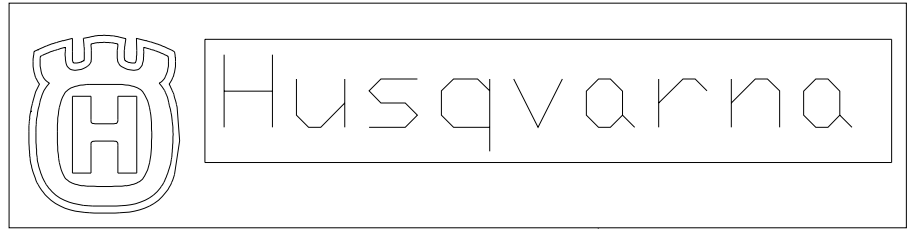
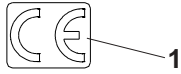
ITEM	PART NO.	QTY.	DESCRIPTION
.....	539107185	..... 1	..... 22" SPRING REEL (COMPLETE)
1	..... 539106683	..... 1	..... SHAFT
2	..... 540020249	..... 42	..... HEX BOLT - LAG 5/16 X 1.0
3	..... 540020250	..... 42	..... LOCK WASHER
4	..... 540091111	..... 42	..... SPRING TINE
.....	540108119	..... 1	..... SPRING W/HARDWARE SET (42 SPRINGS)

**NOTE:**

1. ORIENT SPRINGS AS SHOWN WITH TAIL AGAINST THE FORMED UP EDGE.
2. NO DAMAGE TO ENDS OF SHAFT OR KEYWAY.

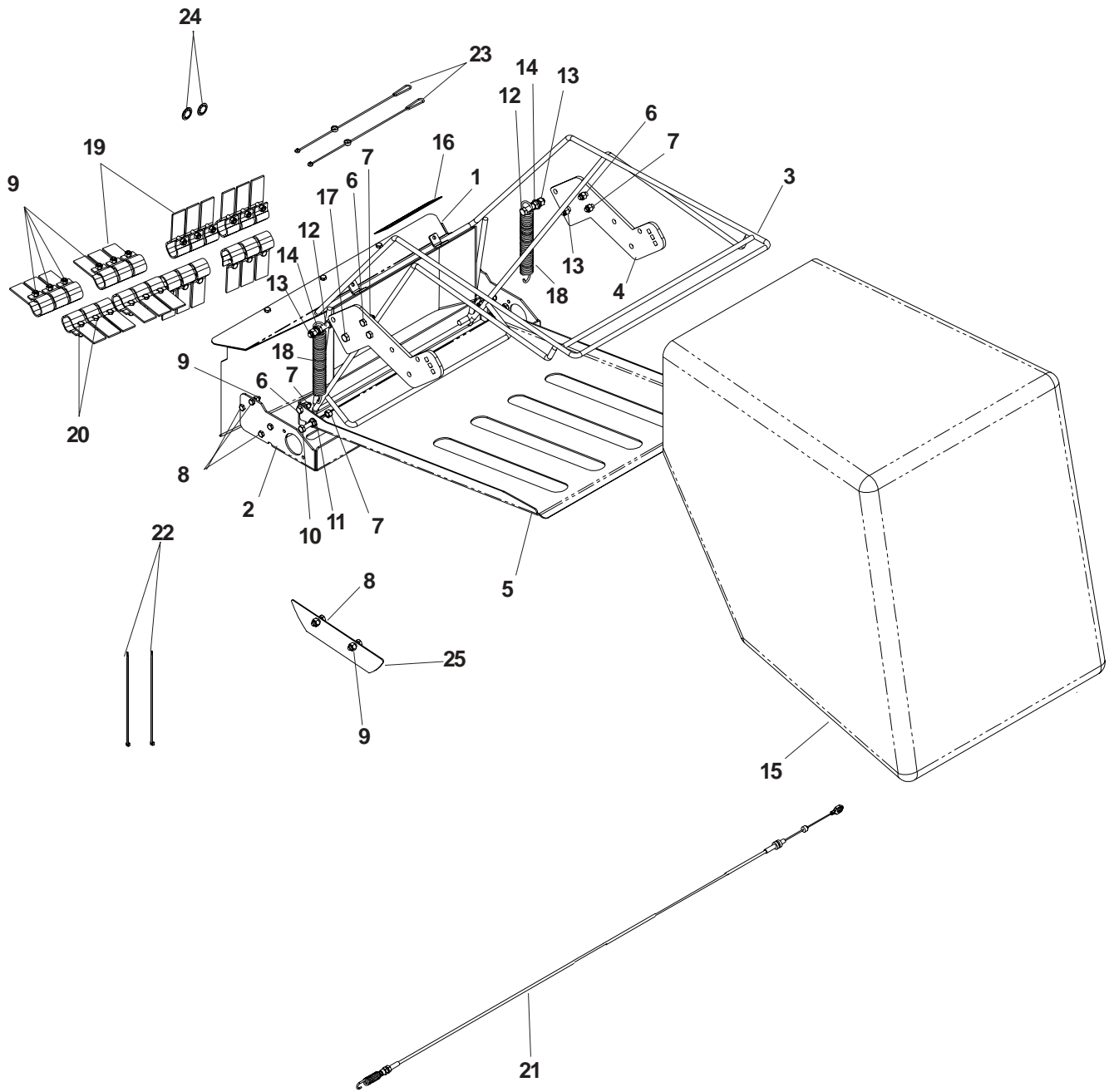


# DECALS



ITEM	PART NO.	QTY	DESCRIPTION
1	539107311	1	DECAL, CE
2	539107337	1	DECAL, HEIGHT
3	539107244	1	DECAL, HANDLE PIN
4	539107361	1	DECAL, SOUND POWER
5	539107189	1	DECAL, DT22
6	540200028	1	DECAL, HEIGHT ADJUST
7	539200732	1	DECAL, 12" HUSQVARNA W/CROWN
8	539008345	1	DECAL, FOOT DANGER
9	539107359	1	DECAL, CE GRAPHIC

# BAGGER ASSEMBLY

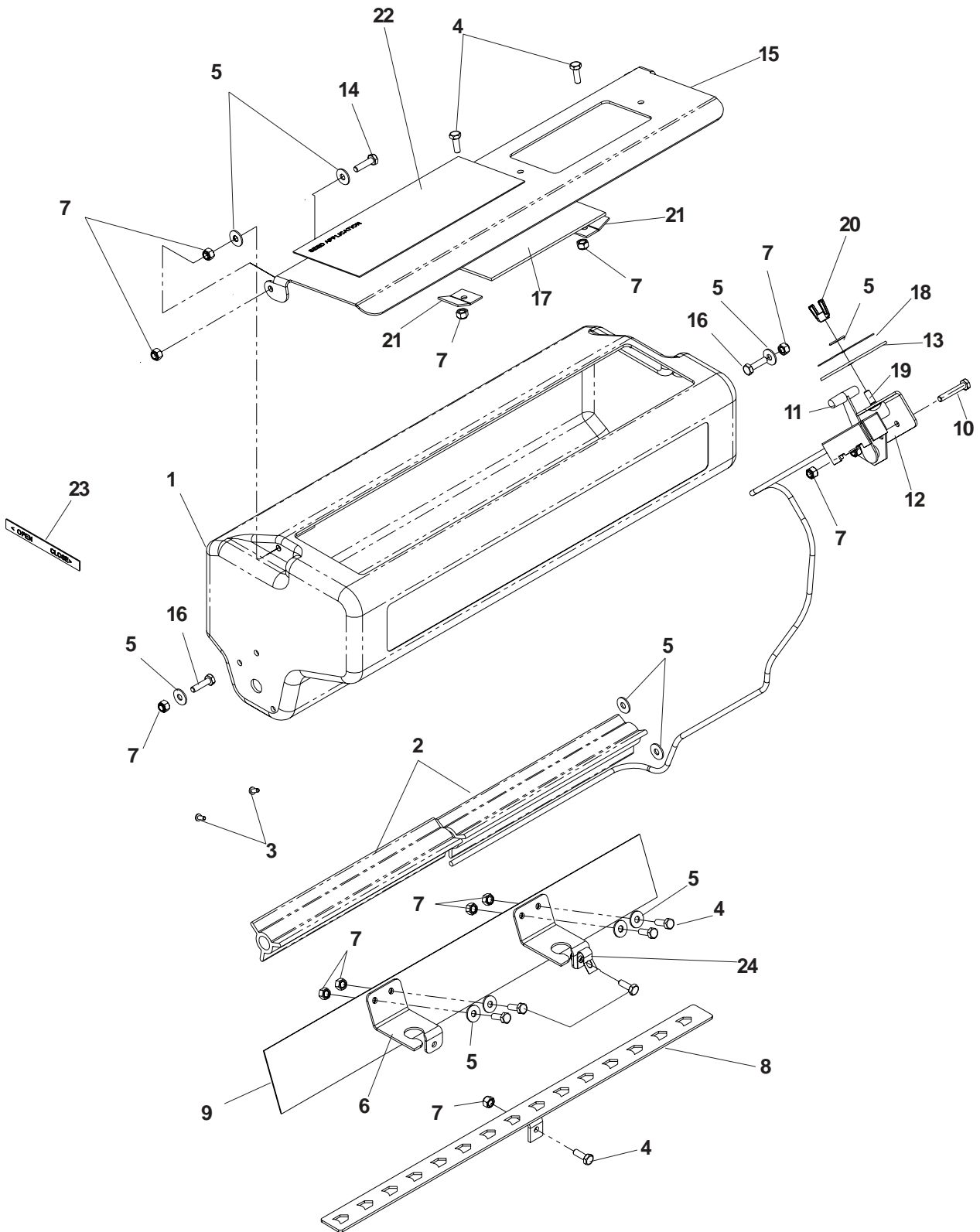


# BAGGER ASSEMBLY

ITEM	PART NO.	QTY	DESCRIPTION
1	539106799	1	CHUTE
2	539106803	1	TRAY
3	539107242	1	BAG FRAME, BLACK
4	539106846	2	EXTENDER
5	539106835	1	SAFETY DOOR
6	539990209	6	SCREW, 5/16 X 1
7	539990717	8	NUT, 5/16, NYLOC
8	539990580	17	SCREW, 1/4 X 3/4
9	539976978	41	NUT, 1/4, NYLOC
10	539990669	2	SCREW, 5/16 X 1 3/4
11	539990585	2	NUT, 5/16, SERRATED WASHER
12	539990588	2	SCREW, 3/8 X 2
13	539976979	4	NUT, 3/8, NYLOC
14	539990613	2	NUT, 3/8, SERRATED WASHER
15	540005464	1	BAG
16	539108143	1	DECAL, WARNING
17	539990563	2	SCREW, 3/8 X 1
18	539107315	2	SPRING, BAGGER
19	539106996	24	RUBBER FLAP
20	539977761	24	SCREW, 1/4 X 1
21	539106827	1	CABLE, BAGGER
22	539976856	2	WIRE TIE
23	539106848	2	LANYARD
24	539053411	2	RETAINING RING
25	539107316	2	SIDESHIELD, CE
	539107244	1	DECAL, HANDLE PIN (NOT SHOWN)

**NOTE:** Ref. No. 22 is used for attaching cable to extender.  
 Ref. No. 23 is used for re-attaching pin to extender.  
 Ref. No. 24 is used for re-installing tire to axle. (Some units use cotter pins.)  
 Ref. No. 25 is bolted to main body, under main shaft.

# SEEDER ASSEMBLY



# SEEDER ASSEMBLY

ITEM	PART NO.	QTY	DESCRIPTION
1	539106627	1	SEEDBOX
2	539106661	2	AGITATOR
3	539000113	2	SCREW, #8-32 X 3/8, TAPPING
4	539990580	8	HCS 1/4C X 3/4
5	539990598	15	WASHER, 1/4, FLAT
6	539106677	6	GUIDE
7	539976978	16	NUT, 1/4C, NYLOC
8	539106678	1	GATE
9	539106681	1	SHIELD
10	539990639	2	HCS 1/4C X 1 1/2
11	539052551	1	SEEDER CABLE
12	539106680	1	MOUNT
13	539107357	1	SEED DIAL
14	539977761	6	HCS 1/4C X 1
15	539106684	1	SEED DOOR
16	539990548	2	HCS 1/4C X 1
17	539106806	1	SEED WINDOW
18	540200141	1	DECAL, SEED DIAL
19	539000140	1	RHSNB 5/16C X 1
20	539990997	1	WINGNUT, 5/16C, NYLOC
21	539107246	2	WINDOW CLIP
22	540200140	1	DECAL, SEED APPLICATION
23	540200143	1	DECAL, OPEN/CLOSE
24	539052931	1	CABLE CLAMP