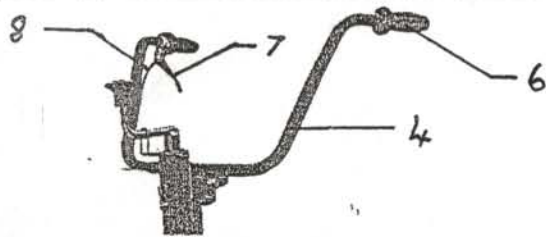
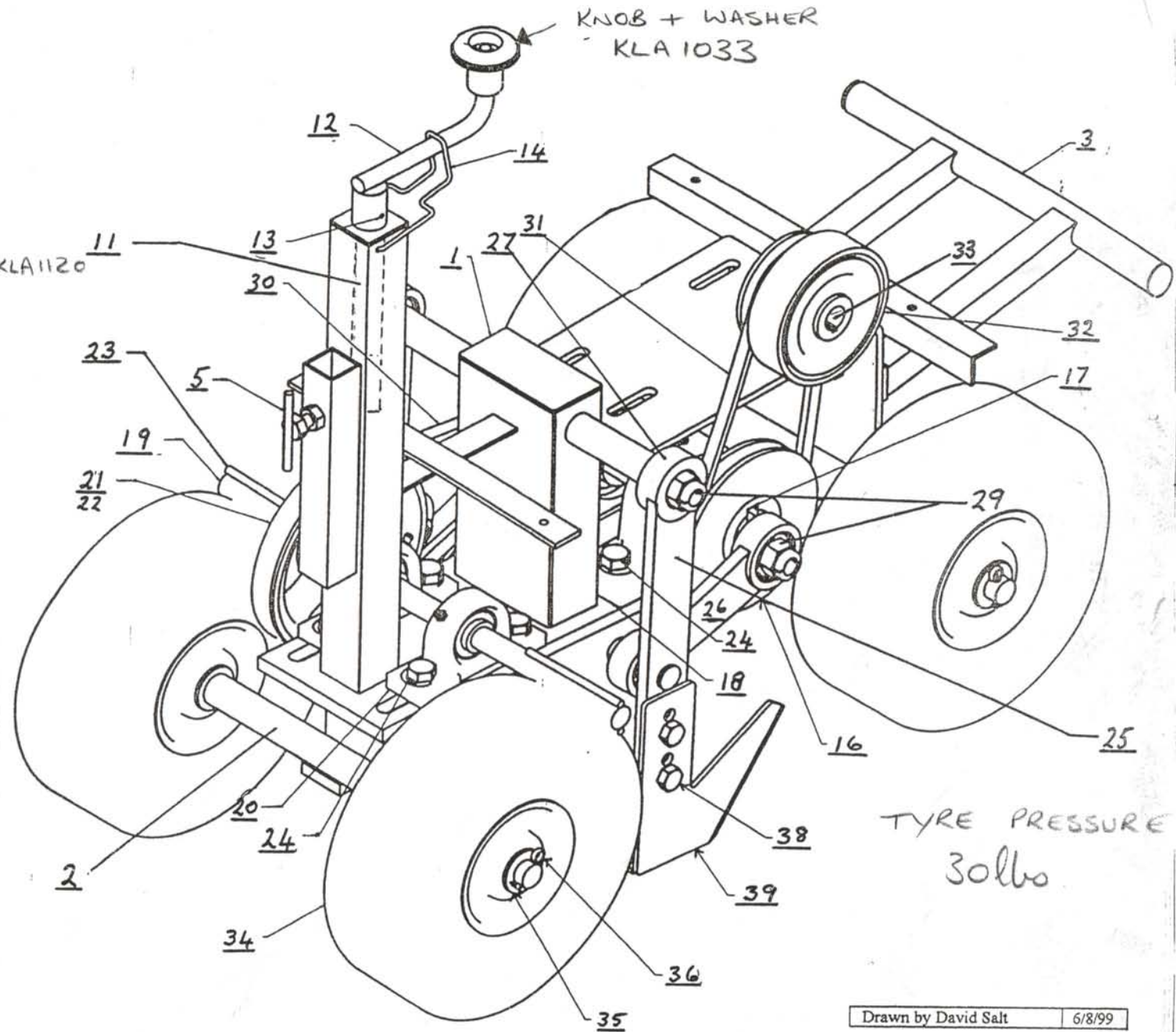


KL55H Turf Cutter Parts List

Item	No	Detail	Mpmd No
1	1	Main chassis assembly	KLA 1001
2	1	Rear axle assembly	KLA 1002
3	1	Front bumper	KLA 1005
--	2	Front bumper nuts & bolts	KLA 1006
4	1	Handlebar frame	KLA 1010
5	1	Handlebar locking screw	KLA 1011
6	1	Handlebar grips (pair)	KLM 0010
7	1	Throttle lever	KLM 0012
8	1	Throttle cable	KLM 0015
9	1	Throttle cable solderless nipple	KLM 0020
10	1	Throttle spring	KLC 0020
11	1	Lead screw	KLA 1025
12	1	Blade adjusting handle	KLA 1030
13	1	4mm roll pin	KLA 1031
14	1	Wire clip for winding handle	KLC 1032
15	1	Main shaft	KLA 1100
16	1	Main shaft pulley	KLA 1105
17	1	Taper lock bearing	KLA 1106
--	2	Taper lock 3/8 unc grub screw	KLK 1201
18	2	Main shaft pillar bearing	KLA 1111
--	1	Complete rear drive shaft	KLA 1153
19	1	Rear drive shaft	KLA 1150
20	2	Rear pillar bearings	KLA 1151
21	1	Rear pulley	KLA 1152
22	1	Rear pulley key	KLA 1154
23	4	Rear drive grip	KLA 1155
24	8	Pillar bearing nuts & bolts	KLA 1160
25	2	Drop arms	KLA 1165
26	2	Bonio arms	KLA 1166
27	6	Bonio & drop arm bearings	KLA 1167
28	6	Circlips for bearings	KLA 1168
29	6	Bonio & drop arm nuts 16m	KLA 1170
--	6	Bonio & drop arm nuts 3/8 bsf	KLA 1171
30	1	A29 drive belt	KLA 1200
31	1	A27 drive belt clutch to m/shaft	KLA 1201
32	1	Centrifugal clutch	KLB 1110
33	1	Clutch retaining bolt	KLB 1100
--	4	Yellow body cover	KLD 1220
--	8	Yellow body fasteners	KLD 1250
34	4	Complete wheel	KLW 8005
35	8	Wheel washers	KLW 8100
36	4	Wheel retaining cotter pin	KLW 8101
37	4	Engine mounting nuts & bolts	KLK 1001
38	4	Blade retaining nuts & bolts	KLK 1200
39	1	Dual blade	KLK 2000
--	1	Acme nut 3/4"	KLA 1003



Parts listing for KL 55 H Turf Cutter		
No.	Description	Mpmd No.
1	Handlebar grips (pair)	KLM 0010
1	*Throttle lever	KLM 0012
1	*Throttle cable	KLM 0015
1	*Throttle cable solderless nipple	KLM 0020
1	*Throttle spring	KLC 0020
1	Main chassis assembly	KLA 1001
1	Rear axle assembly	KLA 1002
1	*Acme nut 3/4" thread	KLA 1003
1	*Front bumper	KLA 1005
2	*Front bumper nuts & bolts	KLA 1006
1	Handlebar frame complete with bushes	KLA 1010
1	*Handlebar locking screw	KLA 1011
2	*Damper screw	KLA 1012
4	*Handlebar bush	KLA 1013
1	*Lead screw 3/4" thread	KLA 1025
1	*Blade adjusting handle	KLA 1030
1	*4mm roll pin	KLA 1031
1	*Wire clip for winding handle	KLC 1032
1	*Knob and washer	KLA 1033
1	*Main shaft	KLA 1100
	*Main shaft New (interchangeable)	KLA 1120
1	*Main shaft pulley	KLA 1105
1	*Taper lock bearing	KLA 1106
1	*Taper lock key	KLA 1107
2	*Taper lock 3/8" unc grub screw	KLK 1201
2	*Main shaft pillar bearing	KLA 1111
2	*Spacer for main shaft bonio bearing	KLA 1121
2	*Bolts for KLA 1121	KLA 1122
4	*Top hat for pillar bearing bolts	KLA 1125
1	*Rear drive shaft	KLA 1150
2	*Rear pillar bearings	KLA 1151
1	*Rear pulley + (grub screw 8mm x 10mm)	KLA 1152
	*Complete rear drive shaft	KLA 1153
1	*Rear pulley key	KLA 1154
4	*Rear drive grip	KLA 1155
4	*Pillar bearing nuts & bolts	KLA 1160
2	*Drop arms	KLA 1165
2	*Bonio arms	KLA 1166
6	*Bonio & drop arm bearings	KLA 1167
6	*Circlips for bearings	KLA 1168
2	*Bonio & drop arm nuts 16m	KLA 1170
	*Bonio & drop arm nuts 5/8" bsf	KLA 1171

Parts listing for KL 55 H Turf Cutter		
No.	Description	MPMD No.
1	A29 drive belt	KLA 1200
1	A27 drive belt clutch to m/shaft	KLA 1201
4	*Engine mounting nuts & bolts	KLK 1001
4	*Blade retaining nuts & bolts	KLK 1200
1	*Centrifugal clutch	KLB 1110
1	*Clutch retaining bolt	KLB 1100
	*Clutch Needle roller bearing	KLB 1115
1	*Yellow body cover	KLD 1220
6	Yellow body fasteners	KLD 1250
4	*Complete wheel	KLW 8005
	*Inner tube	KLW 1006
8	*Wheel washers	KLW 8100
4	*Wheel retaining cotter pin	KLW 8101
1	*Dual blade 12"	KLK 2000
	*Dual blade 14"	KLK 2000/14

***KL prefix parts are interchangeable with PM 55 H/SP machines**

Parts listed below are fitted to front wheel drive machines only

Additional parts fitted to PM 55 H/SP		
No.	Description	MPMD No.
1	Main chassis	PM 1001
1	Rear axle assembly	PM 1002
1	Handlebar holder complete with nuts bolts washers and bushes.	PM 1009
1	Round handlebar frame	PM 1010
1	A 34 Belt TRANSMISSION	PM 1200
1	A 38 Belt CLUTCH TO MAIN SHAFT	PM 1201
4	Zeus Fasteners	PM 1250
2	Plastic retaining inserts	PM 1251
2	Handlebar foam grips	PM 0010
1	Lifting back link arm	PM 1300
1	Triangular lifting arm	PM 1032
1	Curved long bar	PM 1303
5	Lifting Mechanism, Nuts bolts & Washers	PM 1304
1	Tread plate	PM 1305
1	Front axle assembly	PM 1306
1	Connecting bar pin & washer	PM 1307