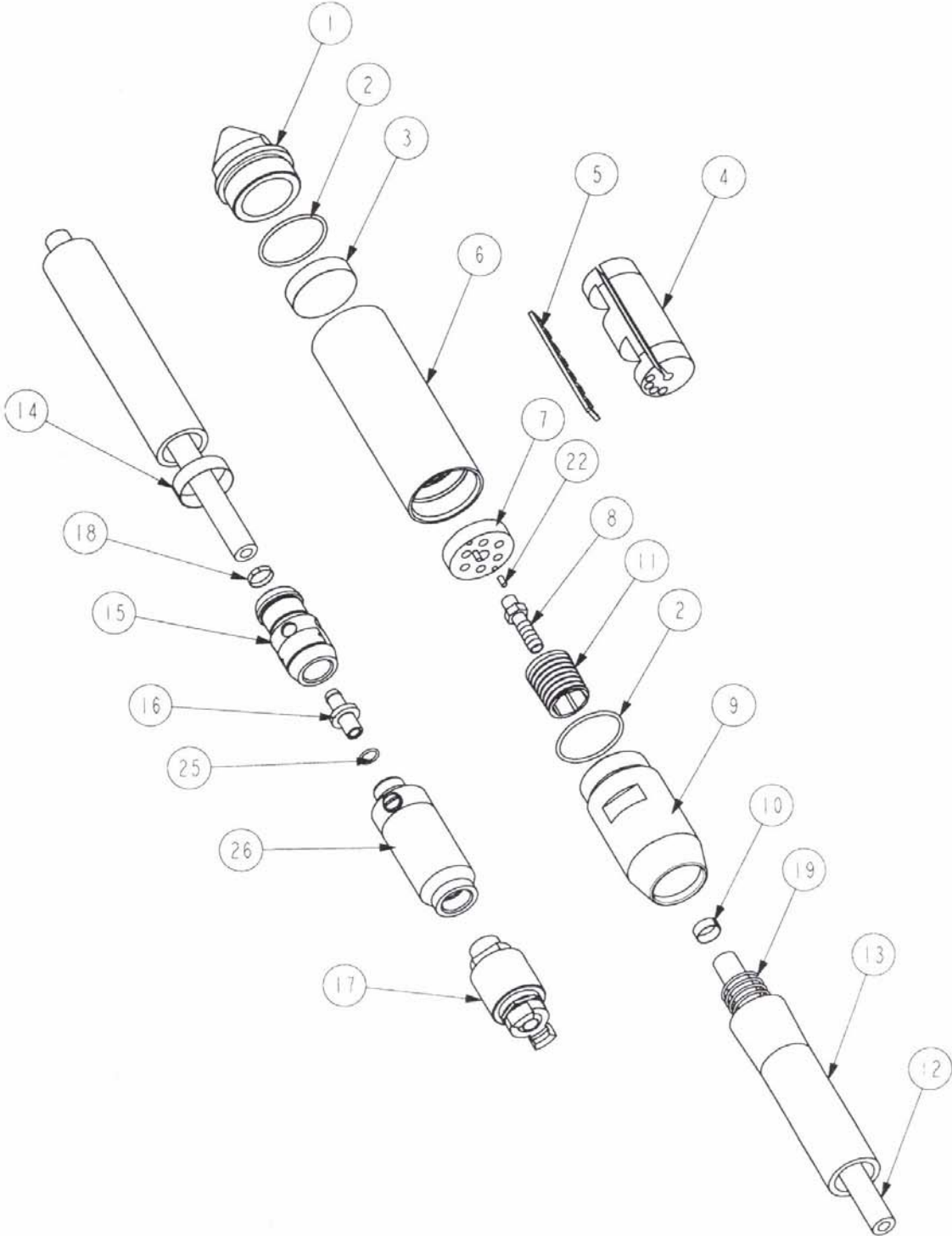


SPARE PARTS DRAWING PNEUMATIC POKERS TYPE PTL 26 --- 108



# SPARE PARTS PNEUMATIC POKERS LIEVERS TYPE PTL

| Pos. | PTL 26 |        | PTL 36 |        | PTL 47 |        | PTL 56 |        | PTL 67 |        | DESCRIPTION  |
|------|--------|--------|--------|--------|--------|--------|--------|--------|--------|--------|--------------|
|      | Ref.   | number | Ref.   | number | Ref.   | number | Ref.   | number | Ref.   | number |              |
| 1    | 182609 | 1      | 182619 | 1      | 183806 | 1      | 182905 | 1      | 182641 | 1      | STEEL NOSE   |
| 1    | 183565 | o      | 183568 | o      | 105600 | o      | 183571 | o      | 183579 | o      | RUBBER NOSE  |
| 2    | 160305 | 2      | 160311 | 2      | 160015 | 2      | 160014 | 2      | 160217 | 2      | O – RING *   |
| 3    | -      | -      | -      | -      | 182629 | 1      | 182635 | 1      | 182643 | 1      | FRONT FLANGE |
| 4    | 368074 | 1      | 368071 | 1      | 368067 | 1      | 368065 | 1      | 368061 | 1      | ROTOR        |
| 5    | 182613 | 1      | 182623 | 1      | 182631 | 1      | 182637 | 1      | 182645 | 1      | LAMEL *      |
| 6    | 368075 | 1      | 368072 | 1      | 368068 | 1      | 368066 | 1      | 368062 | 1      | HOUSING      |
| 7    | 182615 | 1      | 182625 | 1      | 182633 | 1      | 182639 | 1      | 184110 | 1      | REAR FLANGE  |
| 8    | -      | -      | 182626 | 1      | 182626 | 1      | 105521 | 1      | 105521 | 1      | NIPLE        |
| 9    | 182617 | 1      | 182627 | 1      | 107701 | 1      | 185277 | 1      | 182649 | 1      | HOSE HOLDER  |
| 10   | 183723 | 1      | 183723 | 1      | 183723 | 1      | 183723 | 1      | 183723 | 1      | HOSE CLAMP * |
| 11   | 101778 | 1      | 102623 | 1      | 101730 | 1      | 101582 | 1      | 101582 | 1      | SLEEVE       |
| 12   | 101785 | 2,1m   | 100788 | 2,1m   | 100788 | 2,1m   | 101583 | 2,1m   | 101583 | 2,1m   | INNER HOSE   |
| 13   | 101784 | 2m     | 102021 | 2m     | 105567 | 2m     | 102781 | 2m     | 102781 | 2m     | OUTER HOSE   |
| 14   | 185455 | 1      | 185456 | 1      | 185457 | 1      | 185457 | 1      | 185457 | 1      | HOSE CLAMP * |
| 15   | 368076 | 1      | 368073 | 1      | 368069 | 1      | 368063 | 1      | 368063 | 1      | HANDLE NIPLE |
| 16   | 368077 | 1      | 368070 | 1      | 368070 | 1      | 368064 | 1      | 368064 | 1      | NIPLE        |
| 17   | 183920 | 1      | 183920 | 1      | 183920 | 1      | 183920 | 1      | 183920 | 1      | AIRCOCK      |
| 18   | 183723 | 1      | 183723 | 1      | 183723 | 1      | 183723 | 1      | 183723 | 1      | HOSE CLAMP * |
| 19   | -      | -      | -      | -      | -      | -      | -      | -      | -      | 1      | SPRING       |
| 25   | 892635 | 1      | 892635 | 1      | 892635 | 1      | 892635 | 1      | 892635 | 1      | O – RING *   |

O = On request, extra to order

\* = Included in service kit

**Service kits are available for all Lievers PTL poker vibrators. This service kits consist of most wearparts who can be changed simply.**

**Service kits for PTL pokers:**

**PTL 26           nr. 187916**

**PTL 36           nr. 187917**

**PTL 47           nr. 187918**

**PTL 56           nr. 187919**

**PTL 67           nr. 187920**

**When ordering spare parts, please mention machinenummer and diameter of your PTL poker.**

# SPARE PARTS PNEUMATIC POKERS LIEVERS TYPE PTL

| pos | PTL 77 |        | PTL 87 |        | PTL 108 |        | DESCRIPTION  |
|-----|--------|--------|--------|--------|---------|--------|--------------|
|     | Ref.   | number | Ref.   | number | Ref.    | number |              |
| 1   | 183031 | 1      | 182714 | 1      | 182663  | 1      | STEEL NOSE   |
| 1   | 183582 | o      | 183585 | o      | -       | -      | RUBBER NOSE  |
| 2   | 924834 | 2      | 160334 | 2      | 183499  | 2      | O – RING *   |
| 3   | 182650 | 1      | 182657 | 1      | 182664  | 1      | FRONT FLANGE |
| 4   | 368047 | 1      | 182658 | 1      | 182665  | 1      | ROTOR        |
| 5   | 182653 | 1      | 182659 | 1      | 182666  | 1      | LAMEL *      |
| 6   | 368048 | 1      | 182660 | 1      | 182667  | 1      | HOUSING      |
| 7   | 182655 | 1      | 182661 | 1      | 182668  | 1      | REAR FLANGE  |
| 8   | 107690 | 1      | 107690 | 1      | 182669  | 1      | NIPLE        |
| 9   | 182907 | 1      | 182715 | 1      | 182670  | 1      | HOSE HOLDER  |
| 10  | 185455 | 1      | 185455 | 1      | 185455  | 1      | HOSE CLAMP * |
| 11  | 101604 | 1      | 101604 | 1      | 101604  | 1      | SLEEVE       |
| 12  | 100540 | 2,1m   | 100540 | 1,6m   | 100540  | 1,6m   | INNER HOSE   |
| 13  | 100541 | 2m     | 100541 | 1,5m   | 181933  | 1,5m   | OUTER HOSE   |
| 14  | 185458 | 1      | 185458 | 1      | 105905  | 1      | HOSE CLAMP * |
| 15  | 368049 | 1      | 368049 | 1      | 368049  | 1      | HANDLE NIPLE |
| 16  | 368059 | 1      | 368059 | 1      | 368059  | 1      | NIPLE        |
| 17  | 183920 | 1      | 183920 | 1      | 183920  | 1      | AIRCOCK      |
| 18  | 183723 | 1      | 183723 | 1      | 183723  | 1      | HOSE CLAMP * |
| 19  | 101479 | 1      | 101479 | 1      | 101479  | 1      | SPRING       |
| 25  | 892635 | 1      | 892635 | 1      | 892635  | 1      | O – RING *   |

O = On request, extra to order

\* = Included in service kit

**Service kits are available for all Lievers PTL poker vibrators. This service kits consist of most wearparts who can be changed simply.**

**Service kits for PTL pokers:**

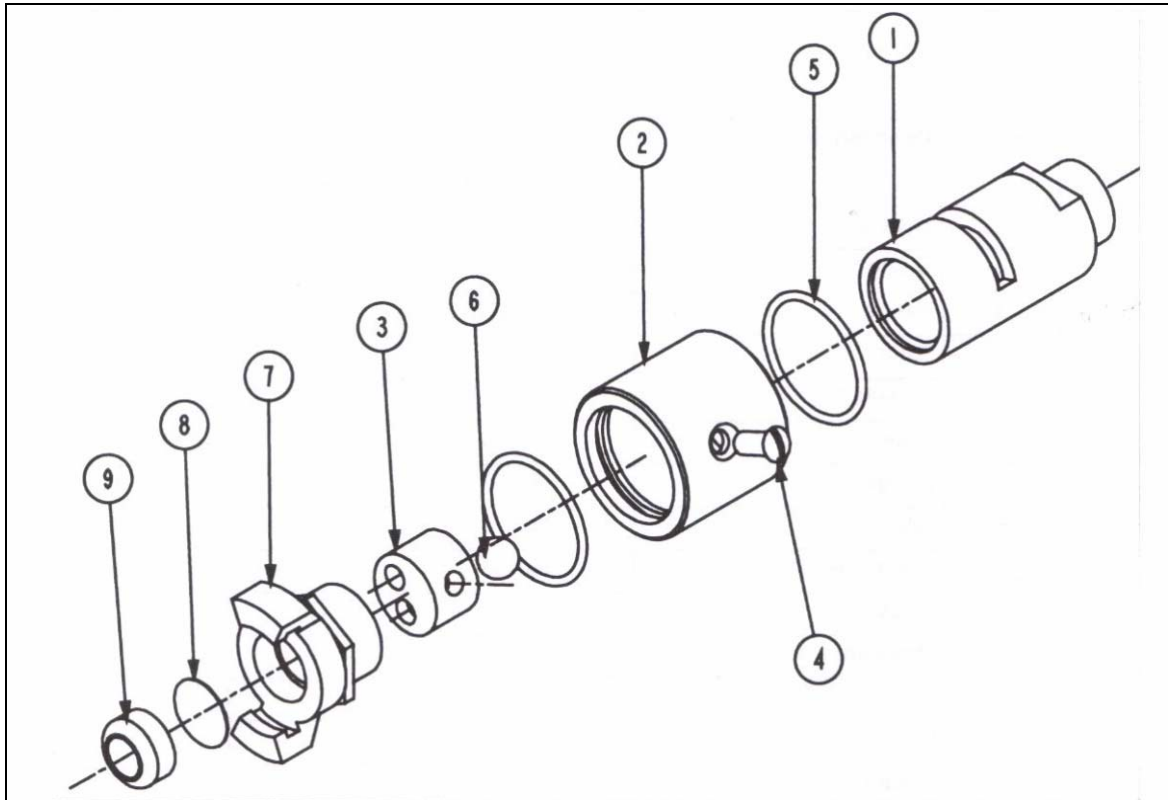
**PTL 77           nr. 187921**

**PTL 87           nr. 187922**

**PTL 108         nr. 187923**

**When ordering spare parts, please mention machinenummer and diameter of your PTL poker.**

## SPARE PARTS FOR AIRCOCK AND COUPLING PN. 183920



| Pos. | Description        | Aircock compl.<br>nr. 183920 | Number |
|------|--------------------|------------------------------|--------|
| 1    | Aircock body       | 183921                       | 1      |
| 2    | Aircock ring       | 183922                       | 1      |
| 3    | Bushing            | 183923                       | 1      |
| 4    | Screw *            | 183924                       | 1      |
| 5    | O - ring *         | 183934                       | 2      |
| 6    | Ball               | 183925                       | 1      |
| 7    | 3/4" claw coupling | 102444                       | 1      |
| 8    | Filter*            | 100156                       | 1      |
| 9    | Rubber seal *      | 100192                       | 1      |

\* = Included in service kit.

# GUARANTEE

## Guarantee provision

All damages to parts of the PTL Poker-Vibrator which occur within 12 months from the date of purchase and who are recognized as possessing manufacturing defects, will be replaced by the manufacturer/supplier as soon as possible.

The manufacturer/supplier declines all responsibility for damages caused by misuse, incorrect connections, improper installation and maintenance and alterations that have been carried out to the PTL Poker-Vibrator. Also the transportcosts for sending a PTL poker to the manufacturer/supplier for guarantee judgement, are not applicable.

Guarantee is also not applicable either if:

- The ventilation slots are not cleaned regularly,
- Unqualified personnel (not familiar with the contents of this operation manual) have assembled or dismantled the Poker-Vibrator.
- Original Lievers PTL parts have not been assembled,
- The Poker-Vibrator has been stored in a damp environment.
- The Poker-Vibrator has been cleaned with a high pressure cleaner or by water jet under high pressure.
- The airtsupply was not provide with a pressure reducer ( max. 6 Atm.), waterseperator and oiler system.

The guarantee is valid for 12 months from the date of purchase.

## Guarantee-certificate

Type and serialnumber Lievers PTL pneumatic poker vibrator:.....

Purchase date :.....

Manufacturer/supplier:

Bouwmachinefabriek Lievers B.V.  
Groot Mijdrechtstraat 68,  
3641 RW Mijdrecht.  
The Netherlands.

Signature:



Mr. J.F.Lievers

# EC-Declaration

## EC-Declaration of agreement for machinery

(Directive 98/37/EC, Annexe 11, under A)

Manufacturer/Supplier

Bouwmachinefabriek Lievers B.V. Holland,  
Groot Mijdrechtstraat 68,  
3641 RW Mijdrecht. The Netherlands.

Hereby declares that:

**The Poker-Vibrators type PTL:**

**complies with the regulations for the Machine Directive (No. 98/37/EC)**

Done: 1 January 2006

Mijdrecht, The Netherlands.



Name: Mr. J.F.Lievers  
Function : Director.