

Cnt-nItem-no	Quantity	Unit	Name	Specification	Proc.restr.
4	320182	1	piece	stator assy	
5	320148	1	piece	rotor assy	
6	320039	1	piece	brush holder assy	
7	320042	1	piece	air deflector	
11	320041	1	piece	casing	
12	320038	1	piece	housing endcap	
13	201240	5	piece	int.hexalob.remf.scr 4X35	
14	201239	2	piece	int.hexalob.remf.scr 4X75	
15	320020	1	piece	seal	
16	76437	2	piece	plastite screw 45 5X16	
19	73131	1	piece	depth gauge	
20	76500	1	piece	side handle assy	
21	76598	1	piece	clamping band	
22	76599	1	piece	clamping piece	
23	75223	1	piece	t-head bolt BM8X30	DIN 186 4.1988 8.8 national purchase
24	76597	1	piece	cover	
25	75225	1	piece	side handle	
26	71754	1	piece	clamp	
27	71755	1	piece	stop holder	
28	320087	1	piece	rating plate	
31	320147	1	piece	motor housing TE 6-A	
32	201774	1	piece	lubricant baffle	
33	201637	1	piece	ball bearing 6X19X6	
34	320183	1	piece	bearing plate assy	



HILTI Aktiengesellschaft Schaan/FL
Copyright reserved HILTI = Registered trademark

Spare part list

Item-no	Index	Name	valid as from	Drawing	Page
320001	5	TE 6-A machine assy	11.05.00	350003	1 / 5

Cnt-nItem-no	Quantity	Unit	Name	Specification	Proc.restr.
35 320029	1	piece	shim ring 16X22X0,8		
36 201769	1	piece	ball bearing 608		
37 70422	2	piece	circlip 22X1	DIN 472 9.1981	national purchase
38 201451	1	piece	spring washer		
39 320033	1	piece	cooling fan		
40 320049	1	piece	carbon brush		
41 26358	6	piece	torx-soc.re.scr 3X16		
42 320006	1	piece	pinion ROTOR		
43 320181	1	piece	carbon brush MIT ABSCHALTORGAN		
44 320090	1	piece	grip unit		
45 320064	1	piece	grip cover		
46 320032	1	piece	switch		
47 320065	1	piece	rev.switch		
48 76586	1	piece	absorber		
49 207960	3	piece	torx-soc.re.scr 4X18		
50 320119	1	piece	flexible conductor 1		
51 320120	1	piece	flexible conductor 2		
52 320116	1	piece	connector housing assy		
56 320118	1	piece	air deflector		
60 76491	1	piece	rotary shaft seal AS30X47X7		
61 320052	1	piece	circlip X10711-S		
62 320019	1	piece	gear housing		
63 320026	1	piece	needle race 25X32X12		
64 320005	1	piece	bevel pinion		



HILTI Aktiengesellschaft Schaan/FL
Copyright reserved HILTI = Registered trademark

Spare part list

Item-no	Index	Name	valid as from	Drawing	Page
320001	5	TE 6-A machine assy	11.05.00	350003	2 / 5

Cnt-nItem-no	Quantity	Unit	Name	Specification	Proc.restr.
65 320028	1	piece	ball bearing 8X22X7		
66 70415	1	piece	feather key 3X3X7.7		
67 320091	1	piece	shim ring 37X47X1,2		
67 320092	1	piece	shim ring 37X47X1,3		
67 320094	1	piece	shim ring 37X47X1,5		
67 320097	1	piece	shim ring 37X47X1,8		
67 320096	1	piece	shim ring 37X47X1,7		
67 320095	1	piece	shim ring 37X47X1,6		
67 320093	1	piece	shim ring 37X47X1,4		
68 320102	1	piece	shim ring 43,2X47X1,2		
68 320126	1	piece	shim ring 43,2X47X1,8		
68 320125	1	piece	shim ring 43,2X47X1,7		
68 320124	1	piece	shim ring 43,2X47X1,6		
68 320123	1	piece	shim ring 43,2X47X1,5		
68 320122	1	piece	shim ring 43,2X47X1,4		
68 320103	1	piece	shim ring 43,2X47X1,3		
70 70421	2	piece	circlip 8X0,8	DIN 471 9.1981 BRUENIERT	national purchase
71 320007	1	piece	toothed gear		
72 320011	1	piece	cam		
73 76227	1	piece	ball bearing 12X24X6		
74 76791	1	piece	retaining ring SW12		
75 320013	1	piece	washer 14X10,1X1		
76 287417	1	piece	feather key A3X3X10		
77 76582	1	piece	circlip 24X1,2		



HILTI Aktiengesellschaft Schaan/FL
Copyright reserved HILTI = Registered trademark

Spare part list

Item-no	Index	Name	valid as from	Drawing	Page
320001	5	TE 6-A machine assy	11.05.00	350003	3 / 5

Cnt-nItem-no	Quantity	Unit	Name	Specification	Proc.restr.
78 320030	1	piece	coupling sleeve		
79 320008	1	piece	toothed gear		
80 320012	1	piece	washer 14X8,1X1		
81 320054	1	piece	eccentric pin assy		
82 71830	1	piece	o-ring 10X1,3		
83 320024	1	piece	switch		
84 201257	1	piece	torx-soc.pl.scr.45 4X12		
85 320022	1	piece	spring		
86 320056	1	piece	cap assy		
87 320034	1	piece	seal FILZ		
88 71820	1	piece	compression spring 1,15X17,9X12		
90 320014	1	piece	guide tube		
91 76478	1	piece	stop		
92 250672	1	piece	ram		
93 76487	1	piece	circlip 17X2		
94 75710	1	piece	o-ring 10X2,5		
95 75719	1	piece	o-ring 12,29X3,53		
96 76486	3	piece	retaining ring SW30		
97 76459	1	piece	ball bearing 61906		
98 320196	1	piece	washer 39X30,1X2,5		
99 201543	1	piece	compression spring 4,5X34,8X29		
100 201521	1	piece	coupling ring		
101 320004	1	piece	bevel gear Z=33		
102 320010	1	piece	sleeve		



HILTI Aktiengesellschaft Schaan/FL
Copyright reserved HILTI = Registered trademark

Spare part list

Item-no	Index	Name	valid as from	Drawing	Page
320001	5	TE 6-A machine assy	11.05.00	350003	4 / 5

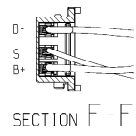
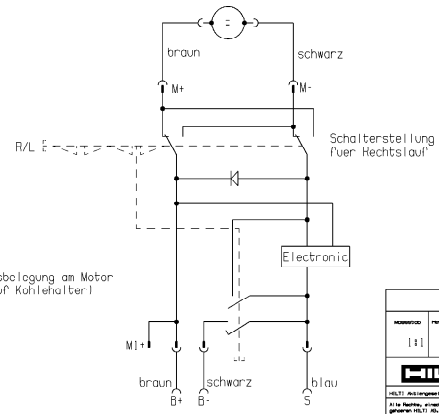
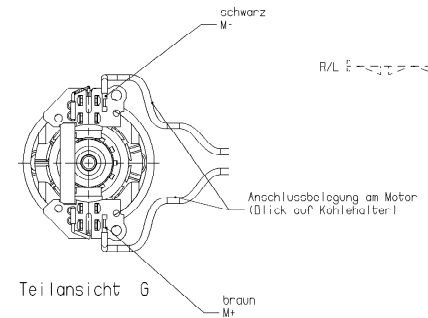
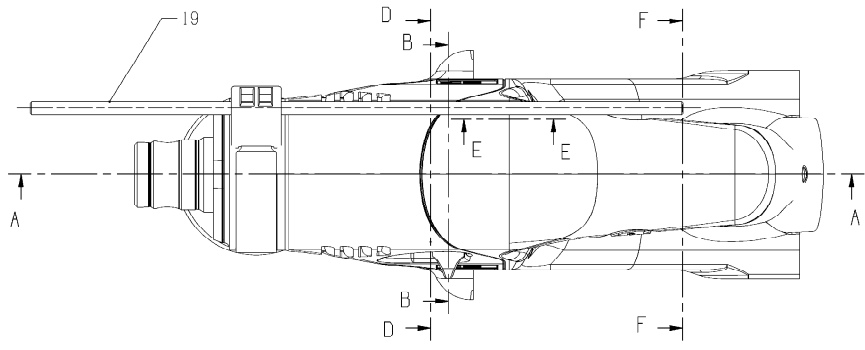
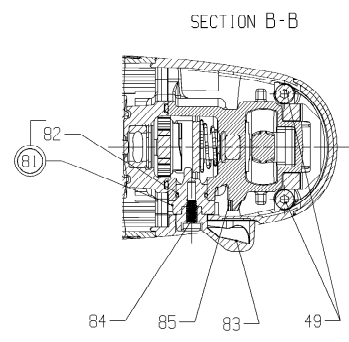
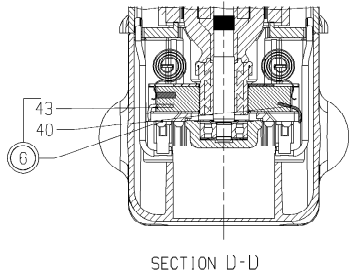
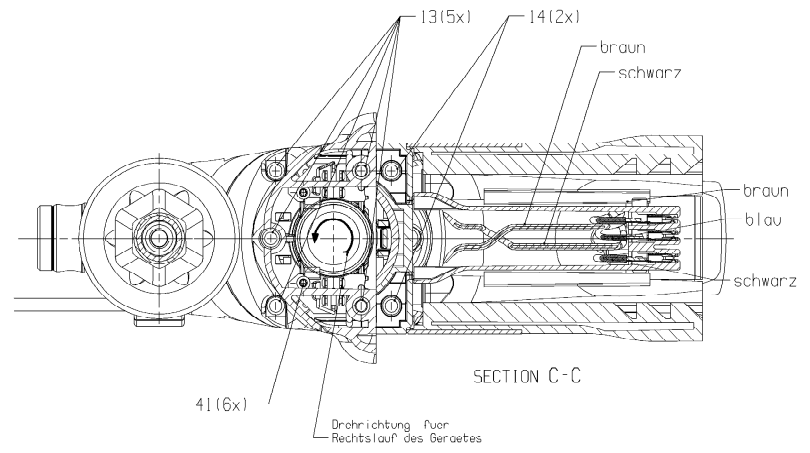
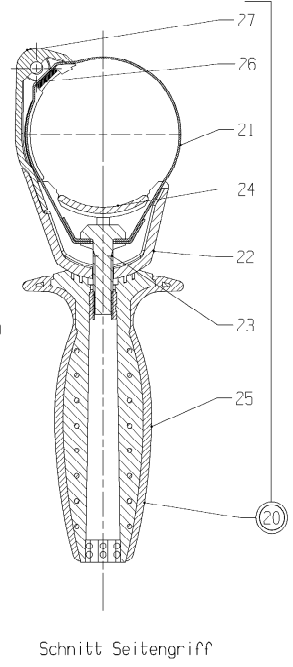
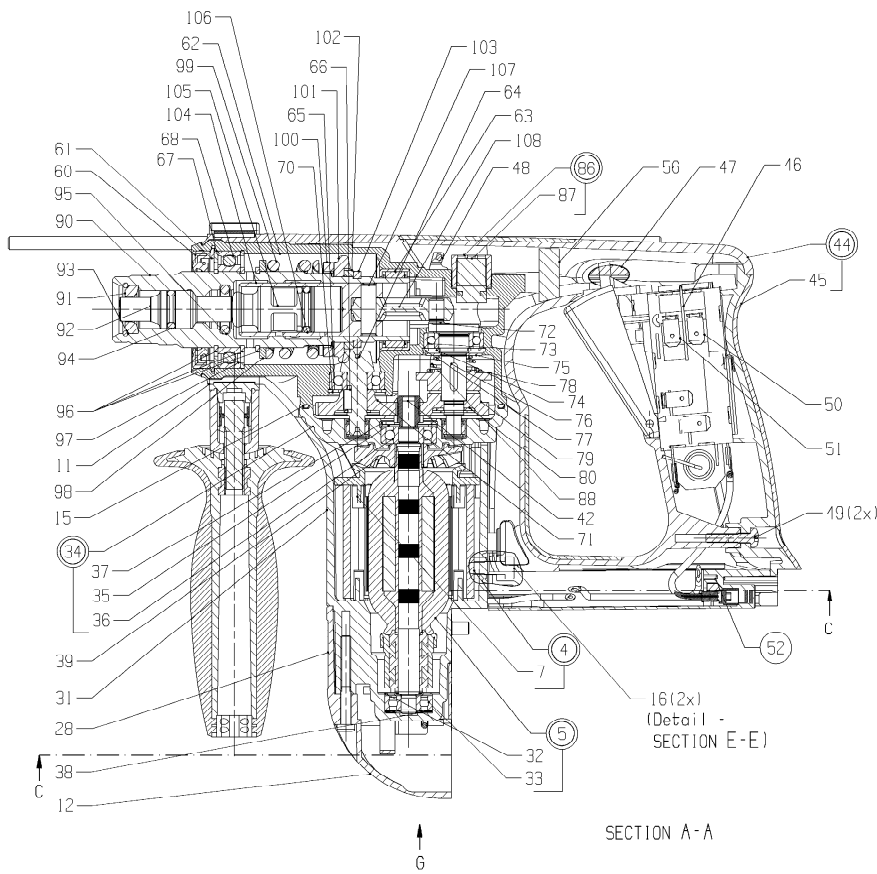
Cnt-nItem-no	Quantity	Unit	Name	Specification	Proc.restr.
103 320025	1	piece	retaining ring SW26X3		
104 320002	1	piece	drive cylinder		
105 320003	1	piece	striker piston		
106 320021	1	piece	o-ring 13,08X2,62		
107 320036	1	piece	clevis pin 6M6X20		
108 320161	1	piece	conrod		
819 320560	1	piece	greas 1KG ALN1001/0		



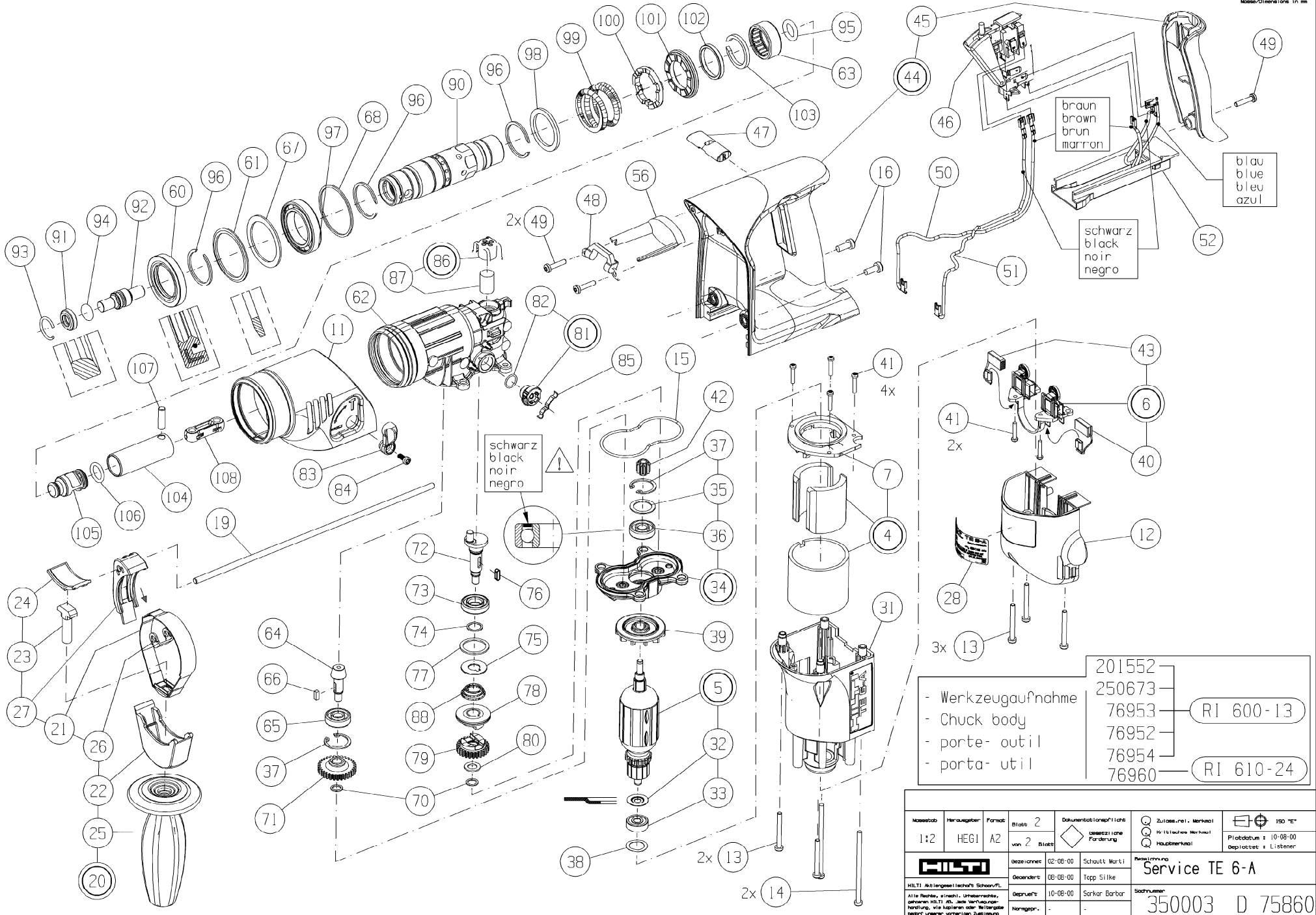
Spare part list

Item-no	Index	Name	valid as from	Drawing	Page
320001	5	TE 6-A machine assy	11.05.00	350003	5 / 5

blau	braun	schwarz
bleu	brun	black
bleu	brun	noir
azul	pardo	negro



Bestellnr.	141	HEGI	A1	Blatt 1	von 2 Blatt	Drucknorm (europ.)	ISO 100	Druckverm. + 10-99-00	Druckdatei + Lister
Bestellnr.	02-18-00	Schaltz. Markt	08-08-00	Typ	SI 10	Druckverm.	10-99-00	Druckdatei + Lister	350003 D 75860



- Werkzeugaufnahme	20152	RI 600-13
- Chuck body	250673	
- porte-outil	76953	RI 610-24
- porta-util	76952	
	76954	
	76960	

Maßstab: 1:2	Herzgeber: HEG1	Format: A2	Blatt: 2 von 2 Blatt	Dokumentationssicht: Übersichtliche Darstellung	Zulassungsmerkmal: Hauptmerkmal	ISO 9001	150 "E"
			Gezeichnet: 02-08-00	Schaubild Markt:	Registrierung: Service TE 6-A		
HILTI Aktiengesellschaft, Schwanau, Deutschland Alle Rechte, einschließlich Urheberrechte, vorbehalten. HILTI AG, alle Verwendungsbedingungen, wie in den oder mit dem Produkt verbundenen Unterlagen, sind anzuwenden.			Geändert: 08-08-00	Tapp Silke	Sachnummer: 350003 D 75860		
			Geprüft: 10-08-00	Sarkar Barbar			
			Normgeber:				